

---

# LIMOUSIN

---

## Wood stove

**Model : 134 10 10**

Output : 9,5 kW

**EN 13240 : 2005-10**



Description of the appliance

Installation instructions

Operating instructions

Spare parts

Warranty certificate

Document n° 961-24

01/07/2013



**Technical manual**

to be saved

by the user

for future reference

**FRANCO BELGE** ♦♦

"La chaleur en toute confiance"

127<sup>ème</sup> RIF, 15  
BE 5660 MARIEMBOURG

Subject to modifications.

FRANCO BELGE congratulates you on your choice.  
 FRANCO BELGE, guarantees the quality of its appliances and is committed to meet its  
 customers' needs.  
 FRANCO BELGE, which can boast a 80-year experience in the industry of heating devices, uses  
 state-of-the-art technologies  
 to design and manufacture its whole range of products.  
 This document contains instructions on how to install your appliance and make full use of its  
 functions, both for your comfort and safety.

---

## CONTENTS

---

<b>Description of the unit</b> . . . . .	<b>p. 3</b>
Package . . . . .	p. 3
Specifications . . . . .	p. 3
Appliance description . . . . .	p. 3
Operating principle. . . . .	p. 3
<hr/>	
<b>Installation instructions</b> . . . . .	<b>p. 4</b>
Warning to the user . . . . .	p. 4
Location of the unit . . . . .	p. 4
Mounting the flue collar . . . . .	p. 5
Top flue outlet . . . . .	p. 5
Rear flue outlet. . . . .	p. 5
Flue . . . . .	p. 5
Chimney connector . . . . .	p. 6
Pre-utilisation check . . . . .	p. 6
Maintenance of the Chimney . . . . .	p. 6
<hr/>	
<b>Instructions for user</b> . . . . .	<b>p. 7</b>
Fuel . . . . .	p. 7
Lighting . . . . .	p. 7
Operating procedure. . . . .	p. 8
De-ashing . . . . .	p. 8
Maintenance of the Chimney . . . . .	p. 8
Maintenance of the stove . . . . .	p. 8
Safety advice. . . . .	p. 8
Trouble shooting . . . . .	p. 9
<hr/>	
<b>Spare parts</b> . . . . .	<b>p. 10</b>

**This appliance is designed to safely burn wood**  
**WARNING**  
**Incorrectly installed, this appliance can be dangerous and possibly cause serious accidents.**  
**We recommend that you engage the services of a professional engineer for its installation**  
**and the regular maintenance requirements.**

# 1. Product information

## 1.1. Package

- 1 package : Stove complete.

## 1.2. Optional

- Boiler

## 1.3. General characteristics

Reference . . . . .	134 10 10
Maximum output . . . . . kW	9,5
. . . . . Btu/hr	34 000
Chimney draught required . . . . . Pa	11
<b>Grate dimensions :</b>	
- Width . . . . . mm	540
- Depth . . . . . mm	250
- Usable height . . . . . mm	200
<b>Log dimensions :</b>	
- Length maxi. . . . . cm	50
Ash pan capacity . . . . . litres	6,8
Net weight . . . . . kg	160
Volume heated . . . . . m <sup>3</sup>	400
Efficiency . . . . . %	70
Co (13% O <sub>2</sub> ) . . . . . %	0,12
Flue mass gas temperature . . . . . °C	36E
Fuel rate . . . . . Kg/h	3,4
Dust emission . . . . . mg/Nm <sup>3</sup>	10

## 1.4. Description

Stove, in conformity with norm **EN 13240 : 2005-10.**

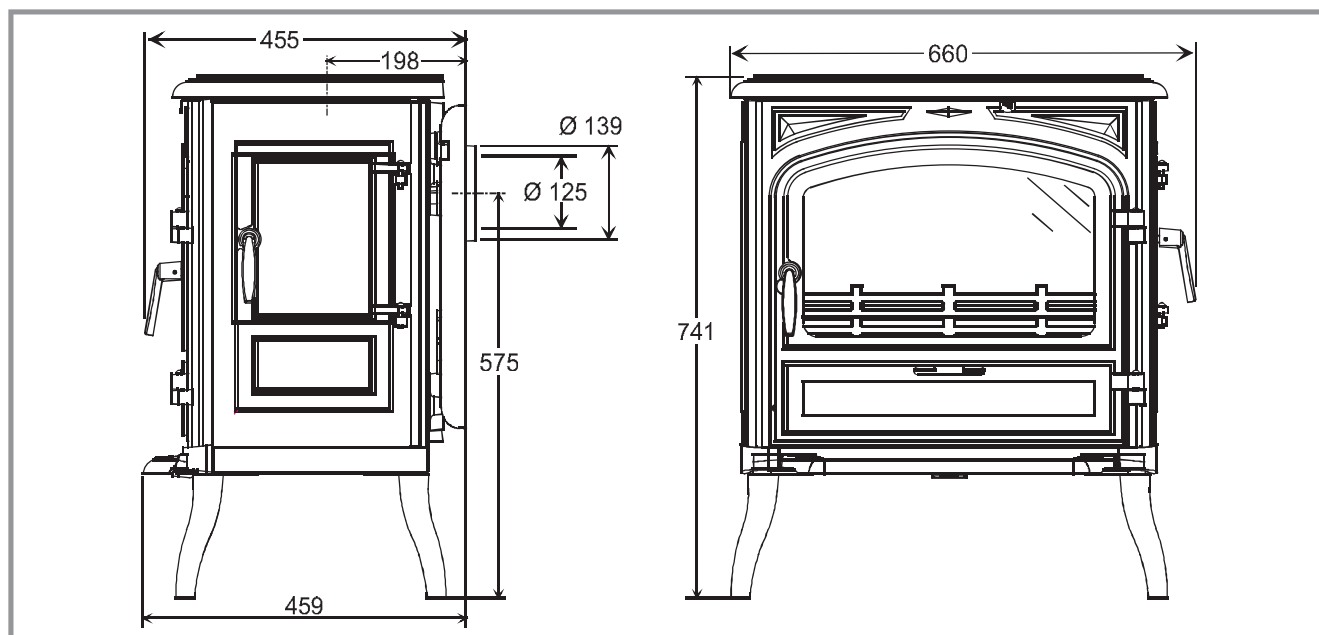
- Intermittent-burning heating appliance.
- Detachable flue spigot for rear or top chimney connection
- Detachable top for easy handling and cleaning (rear smoke exit only)
- Adjustable air controls for controlling the burning rate
- Spin wheel for lighting
- Large ash-pan.
- Side loading door
- Long lasting burning cycle : When the appliance is loaded with à 7,7 kg (see page 8, § 3.1.) of dry rate (primary and secondary air inlet closed) with a 6 Pa draught, it runs for 12 hours.

## 1.5. Principle of operation

The " Limousin " is designed for operation with the door closed.

Heat is mainly diffused by radiation, through the window and body of the appliance.

Combustion occurs on the grate, with draught entry through the top of the combustion chamber when using wood and under the grate when using smokeless fuel



Ø 139 externa  
 Ø 125 interna

Figure 1 - Dimensions in mm

## 2. Installation instructions

### 2.1. Warning to the user

All the local and national regulations, and in particular those relating to national and European standards, must be observed when installing the appliance.

An incorrectly installed heating appliance can cause serious accidents (chimney fires, burning of plastic insulation materials, in partition walls, etc...). The insulation of both the appliance and the exhaust gas pipe has to be reinforced and done according to the Standards and the Building Regulations for safety reasons. The installation must be carried out according to the Standards and the Building Regulations. Failure to respect the manufacturer's instructions will invalidate the warranty.

The manufacturer's responsibility shall be limited to the supply of the appliance.

### 2.2. The room

**Ventilation :** For satisfactory appliance operation with a natural draught, check that sufficient air for combustion is available in the room. In houses equipped with one controlled mechanical ventilation this one aspire and renew the ambient air ; in this case the residence is under slight low pressure and a non-sealable external air intake must be installed in addition to the chimney itself, at least 50 cm<sup>2</sup> in section

**Position of the unit :** For new installations, select a central position within the house, to provide a good heat distribution around the building. The heat distribution towards the other rooms will be made through the communicating doors. These rooms must be at low pressure or fitted with non-adjustable air registers.

placed so that they cannot be obstructed, to encourage circulation of the hot air

**Floor and walls :** Make sure there are not combustible or covered with combustible material. Otherwise it must necessary to install a non-combustible protection. There must be a clearance of at least 150 mm at each side of the appliance and at the back of the appliance from a **non-combustible wall**. This distance must be extended to a minimum clearance of 400 mm from any combustible materials. This measurement may be reduced to a minimum gap of 50 mm when the non-combustible wall is at least 200 mm thick

There should ideally be a minimum gap of 300 mm at the right hand side of the stove, this will ensure the best possible. When using a single wall flue pipe, there must be a clearance (A) of at least three times its diameter (B) from any combustible materials. If the appliance has to be located in an opening, this distance must be extended to a minimum clearance (A) of 450 mm from the pipe or the stove body to any combustible materials.

**Hearth :** The appliance must stand on a fireproof hearth. It is possible to provide a hearth made of non combustible board/sheet material or tiles at least 12 mm thick (C). Constructional hearths should be constructed of solid non combustible material at least 125 mm thick (including the thickness of any non combustible floor under the hearth). The hearth must protrude at least 300 mm in front of the stove and 150 mm each side. Hearths are provided to prevent combustion appliances setting fire to the building fabric and furnishings and to limit the risk of people being accidentally burnt.

Therefore, they should be separated from adjacent combustible materials and should be satisfactorily delineated from surrounding floor finishes (carpets etc...) as follows

Combustible material should not be placed under a constructional hearth for a solid fuel appliance within a

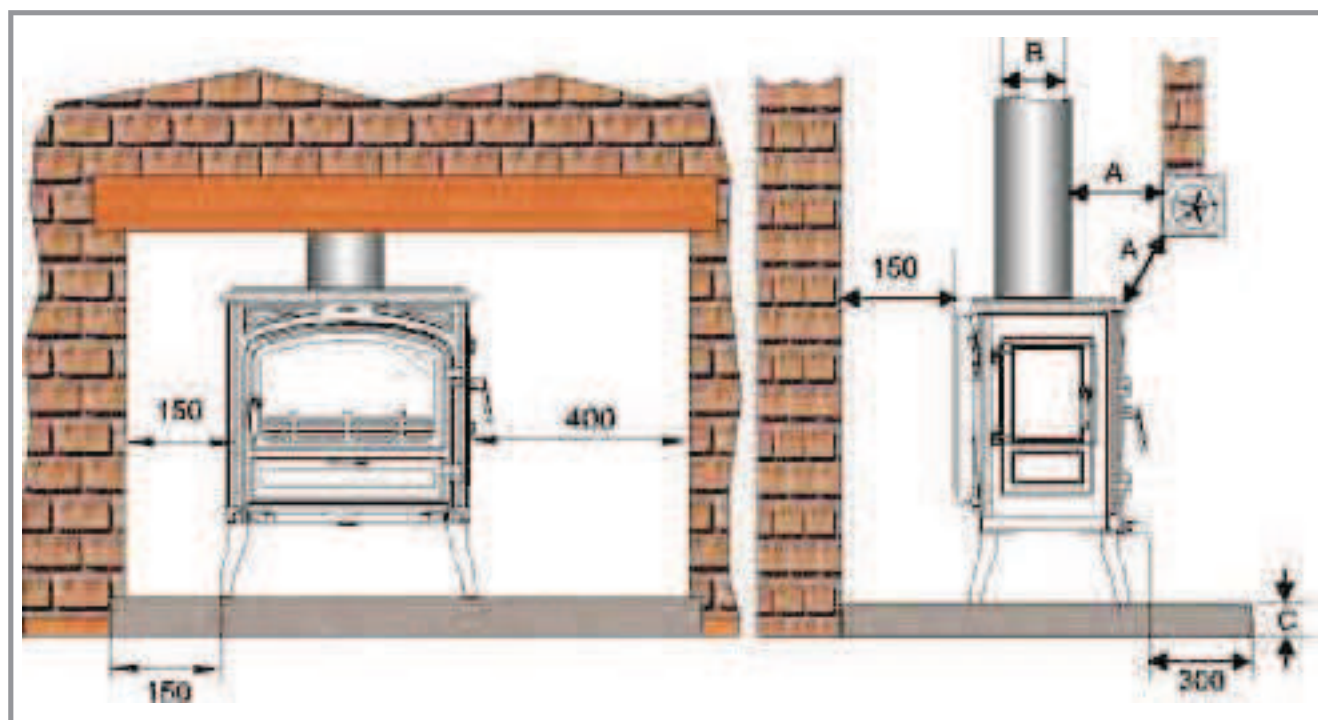


Figure 2 - Minimum clearances

vertical distance of 250 mm from the upper surface of the hearth, unless there is an airspace of at least 50 mm between the combustible material and the underside of the hearth.

Where a superimposed hearth has been placed onto a constructional hearth, combustible material placed on or beside the constructional hearth should not extend under the superimposed hearth by more than 25 mm or closer to the appliance than 150 mm.

Ensure that the hearth (superimposed or constructional) is suitably delineated to discourage combustible floor finishes from being laid too close to the appliance, by marking the edges or providing a change of level.

### 2.3. Chimney

**Existing flue :** The chimney must comply with Current Building Regulations. If in doubt, consult your Dealer or local Building Inspector.

- The flue must be in good condition and must provide sufficient draught (refer to technical details p. 3)
- The flue must be suitable for the installation of fuel burning appliances, otherwise it must necessary to install a tubing
- The flue must be clean. It should be swept to remove soot and dislodge tar deposits.
- The flue must be well insulated. If the flue inner wall surfaces are cold, a good thermal draw is impossible causing condensation problems (tar formation, etc...) to occur
- The flue must be watertight.
- The flue must not be shared with other appliances
- The chimney must have a constant cross section
- When the cross-section of the chimney is too large, it has difficulties in obtaining a good draught
- The chimney must be at least 4.5 m (15 ft) high and be at 40 cm above the ridge of the roof and 8 meters away from any construction.
- In case of a flat roof or when the roof gradient is lower than 15°, the stack must be 1,2 m (4 feet) high at least
- The capping must not restrain the draught.
- If the chimney has any down draught tendency, due to its position in relation to nearby obstacles, then an anti-down draught cowl must be installed on the chimney or the chimney height must be increased.
- If the chimney draught is excessive or irregular, a draught stabilizer (barometric damper) must be installed to the connector pipe it must be visible and accessible

**Chimney to be built / New flue :** The chimney must comply with Current Building Regulations. If in doubt, consult your Dealer or local Building Inspector

- The appliance must not support the weight of the flue
- It must be distant from any combustible material (walls, cross members)
- It must permit easy sweeping.

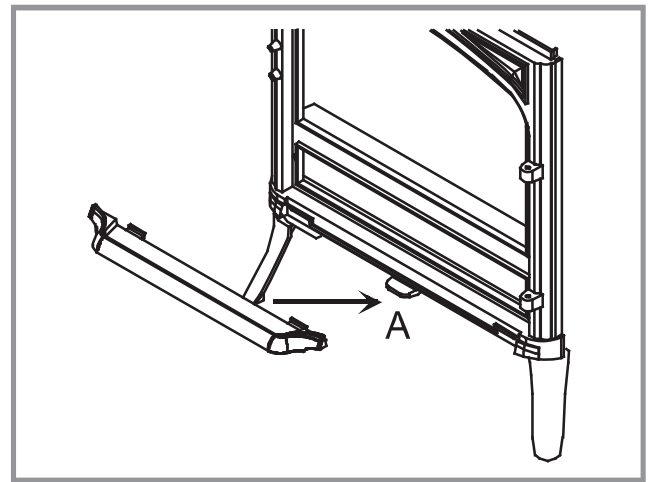


Figure 3 - Mounting the tray

### 2.4. Mounting the tray

To avoid damage during transport, the tray has been stored behind the main door.

Fix the tray, on the appliance (ill. 3). Center on tab "A" and lower into place



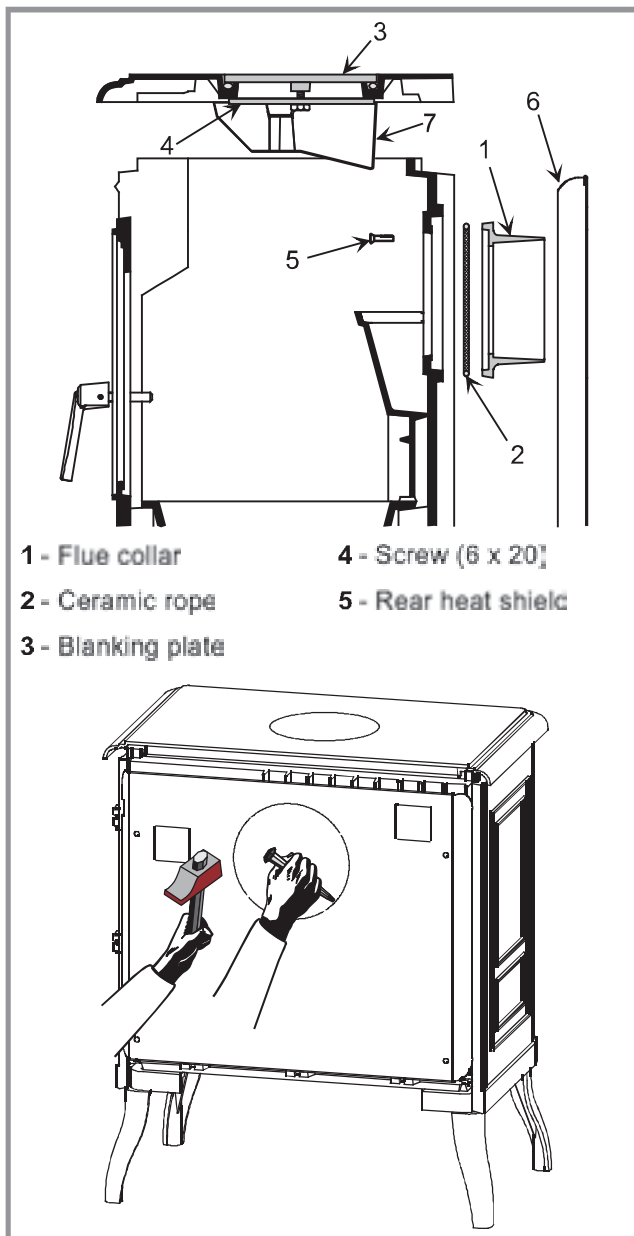


Figure 4 - Rear flue outlet

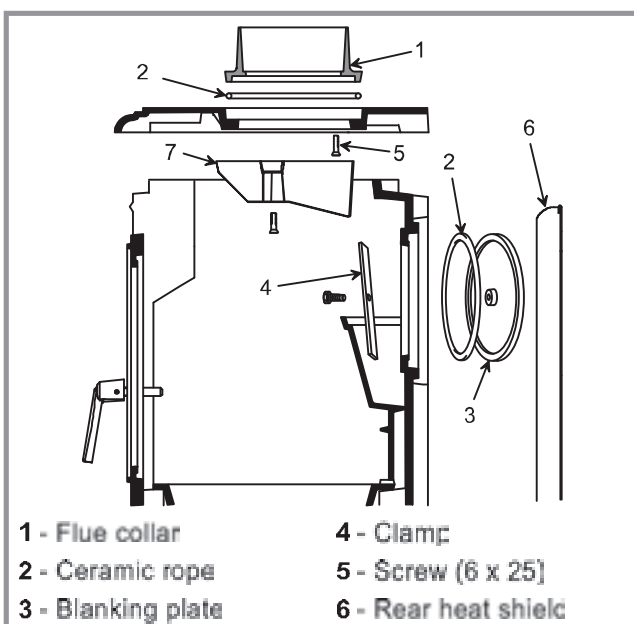


Figure 5 - Smoke exit on the top

## 2.5. Assembly of flue spigot

The stove is supplied with a connection flue spigot with an inner diameter of 125 mm and an outer diameter of 139 mm

### 2.5.1. Smoke exit at rear (figure 4)

- Remove the rear heat shield 6.
- Remove the top plate (2 screws)
- Remove the flue baffle (# 4, ill. 6, p. 7).
- Fit the sealing rope 2 in the groove at rear and fix the flue collar 1 with 3 bolts and washers supplied
- Replace the flue baffle (# 1, ill. 7, p. 7)
- Replace the top plate
- Remove the cut-out in the rear heat shield and refit (ill. 4)

### 2.5.2. Smoke exit on the top (figure 5)

- Remove the rear heat shield 6.
- Remove the top plate (2 screws)
- Remove the flue baffle (# 4, ill. 6, p. 7)
- Remove the blanking plate 3 and the clamp 4 and refit them at the rear, ensuring there is a good seal
- Fix the flue collar 1 on the top with 3 bolts and washers supplied, ensuring there is a good seal
- Replace the flue baffle (# 1, ill. 7, p. 7)
- Replace the top plate
- Replace the rear heat shield 6.

**In this case, the cut-out of the heat shield must not be remove.**

## 2.6. Chimney connector

The connection to flue must be carried out according to local building regulations.

- The appliance must be installed as close as possible to the chimney
- The connector pipe must be approved for installation with combustion products (either 24 ga. Black painted or blued steel or 316 grade 20 ga. Stainless steel or 1 mm vitreous enamelled steel).
- Pipe diameter must not be less than the appliance spigot diameter. If there is no other solution, the reduction can not be more than one diameter lower than the flue spigot and be situated as distant as possible from the flue connection of the appliance.
- The connection can be either vertical or horizontal. For horizontal connections, avoid right angle bends
- The join between the connection pipe and the stovepipe and the flue, must be leak tight
- For the premises equipped with a mechanical controlled ventilation, the airtightness has to prevent the exhaustor drawing out the smokes from the exhaust gas pipe
- The connection pipe and any draught stabiliser must have access for cleaning.

## 2.7. Pre-utilisation check

Check that the seals of the smoke-line are in good condition. Check that the door closes correctly, the Check that the glass is not damaged. Check that the smoke passages are not obstructed by packaging or removable parts. Check that all removable parts are correctly installed

**Note :** If it acts of a ceramics braid, it is consumable and thus brought to be changed by the user

All removable parts, fuel retainer (# 4, ill. 7), bricks (# 2 & 3, ill. 7), and the flue baffle (# 4, ill. 7), must be correctly installed

## 2.8. Removing and replacing the flue baffle

Make sure that all removable parts are correctly fitted installed.

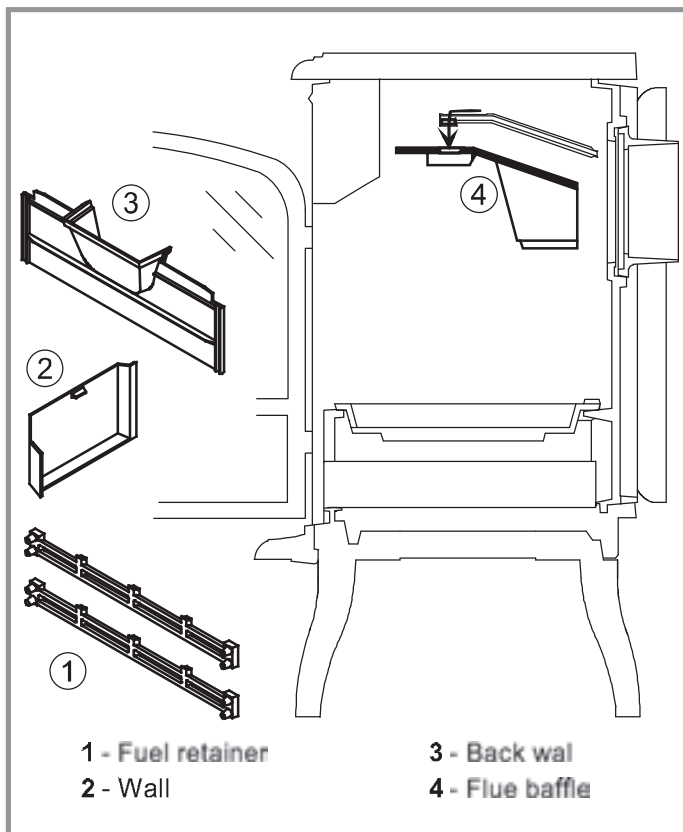


Figure 6 - Removing the flue baffle

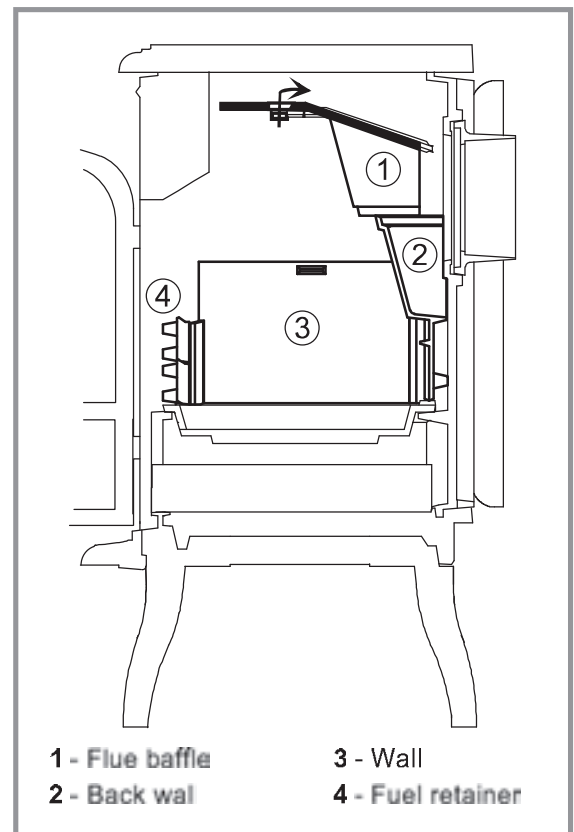


Figure 7 - Replacing the parts

## 2.9. Chimney maintenance and sweeping

**Very important :** In order to avoid any incident (chimney fire, etc...), maintenance tasks must be carried out regularly. If the appliance is regularly used, the chimney should be swept several times per year, together with the stovepipe connection section.

**If the chimney catches fire, you must cut off the flue draught, close the doors and windows, hatches, keys and call the Fire Brigade without delay.**

**DO NOT OPEN THE DOOR OF THE APPLIANCE  
(OR AIR INLET)  
UNDER ANY CIRCUMSTANCES**

- First remove the two retainer grates (# 1, ill. 6), the three side bricks (# 2 & 3, ill. 6) and the flue baffle (# 4, ill. 6)
- Replace all parts in the reverse order ( ill. 7).

**Chimney condition should be checked at least once per year.**

### 3. Instructions for user

The manufacturer will not be responsible for damages on parts of the appliance due to the use of prohibited fuel or due to an alteration of the appliance or its installation. Only use replacement parts supplied by the manufacturer.

All the local and national regulation and in particular those relating to national and European standards, must be observed when using the appliance.

**Don't run the stove in mild weather with coal !**

Under certain circumstances (e.g. fog and repeated thaw) the chimney will not draw sufficiently well and thus be at the origin of asphyxia.

#### 3.1. Fuel

**This appliance is not an incinerator.**

- Use hard wood logs, which have been cut for at least two years and stored, under a ventilated shelter
- Use hardwood that have a higher calorific value per cu metre (Yoke-elm, oak, ash, maple, birch, elm, beech, etc...). Large logs must be split and cut to an useful

length (Humidity < 20 %), before being stored in a sheltered and ventilated place.

#### • Recommended fuel

Firewood **Hornbeam**

#### • Suitable fuel

Firewood : Oak, ash, maple, birch, elm, beech, etc...

#### • Prohibited fuel

**ANY FORM OF COAL AND FUEL OIL !**

"Green wood". Green or damp wood reduces the appliance efficiency and soils the glass, the internal walls and the flue (soot, tar, etc...)

"Recovered wood". Railway sleepers, telegraph poles, offcuts of plywood or chip board, pallets, etc... Burning treated wood quickly clogs the flue ways (soot, tar etc...), pollutes the environment (pollution and smell, ...) and cause the fire to burn too quickly and overheat

☞ **Green wood and recovered wood can cause a chimney fire.**

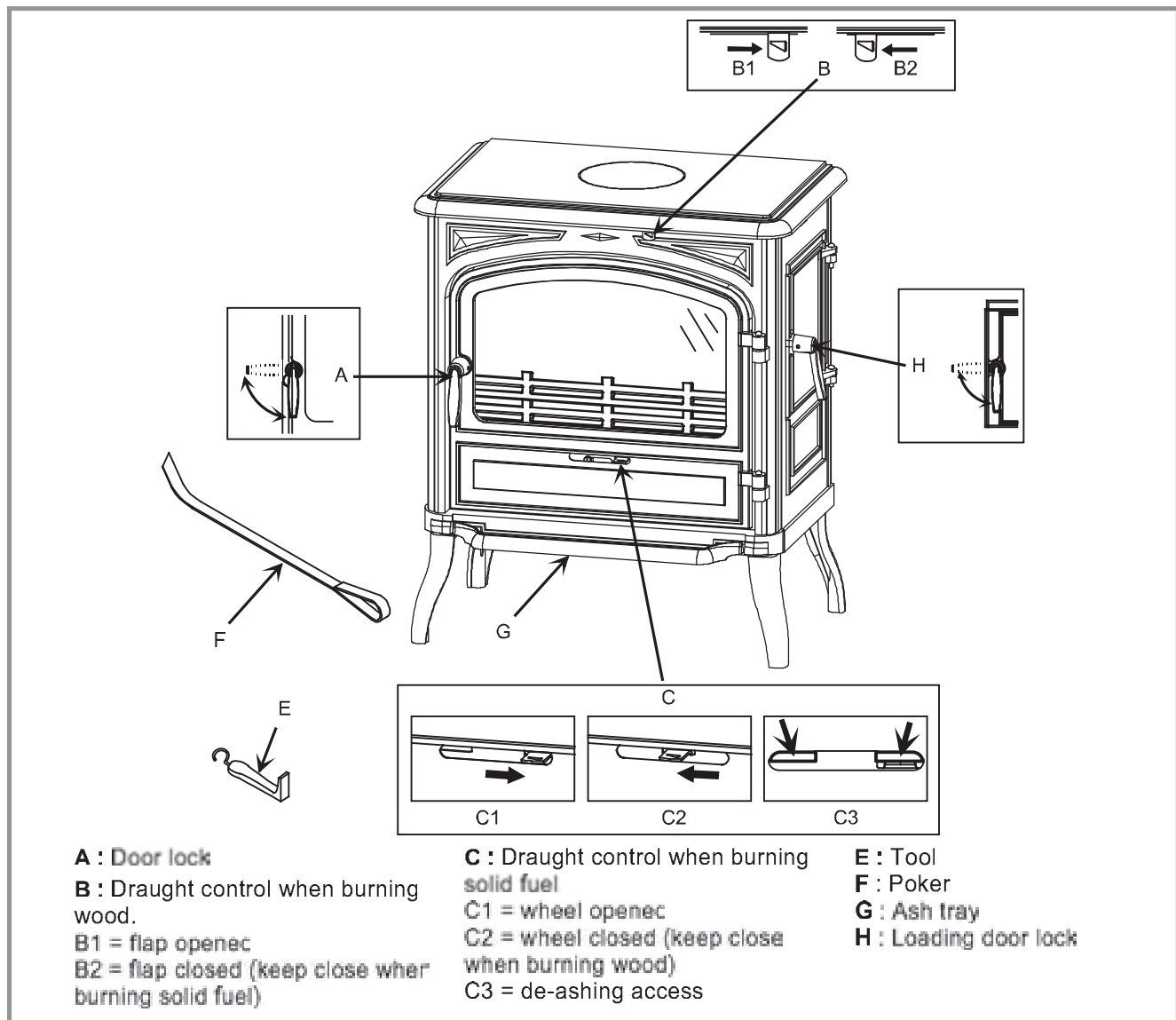


Figure 8 - Operating devices



### 3.2. lighting

#### Figure 8

- Slide the top air control (#B1) and the lower air control (#C1) to the right
- Open the front door and lay firelighters or rolled up newspapers on the grate with a reasonable quantity, if necessary, of dry kindling wood. Place 2 or 3 small logs on top
- Light the newspaper or firelighters using a long taper and close the door (#A).
- When the fire is burning fiercely, add further logs of a diameter up to 10 cms.
- When the stove body is very hot, close the lower air control (#C2).

**Note :** When the fire is lit for the first time, the stove may give off fumes from the new paint. This is normal but ensure the room is well ventilated during the first few hours of operation

The burning rate can now be adjusted by moving the top air control to the left (#B1). Experience will show you which settings are best for your situation

### 3.3. Operating procedure

The appliance must function door and lighting flap (rep. C2) properly closed.

The burning rate can be adjusted by the air control flap (rep. B, secondary air inlet). Experience will show you which settings are best for your situation

The nominal output is obtained with the secondary air inlet open (mark B1) and primary air inlet of 1/4 open

The airwash system works with the top airslide. When the top airslide is full open the system works at its strongest efficiency

The more closed down the top airslide is, the less effective the airwash will be (when shut down completely, the airwash system can not function)

#### Loading the fuel :

It is advisable to wait for the fire to be reduced to hot embers before re-loading. The door should also be opened slowly when re-loading

The minimum reloading interval for nominal heat output is 45 mn

- The logs must be placed on the glowing embers
- For a briskly burning fire, there should always be at least two logs in the fire. The fire will burn better if there are several logs
- For a slower burning fire (for example, at night), select larger logs
- Close the loading door.
- Open the lighting flap for a while (rep. C1).

### 3.4. Re-fuelling

It is advisable to wait for the fire to be reduced to hot embers before re-loading. The door should also be opened slowly when re-loading

### 3.5. Cleaning

It is essential to keep the grate free from a heavy build up of ashes

**REMEMBER TO BURN SOLID FUEL CORRECTLY, AIR SHOULD BE ALLOWED TO FLOW FROM THE ASH PIT AREA THROUGH THE GRATE AND THROUGH THE FUEL. IF THE GRATE OR ASH PAN ARE CONGESTED, THE PERFORMANCE WILL BE EFFECTED.**

If burning solid fuel, always empty the ash pan at least once a day or whenever it is full of ashes. Never allow the ashpan to overflow allowing ash to be in contact with the underside of the grate. If this condition is allowed, the grate will wear out pre-maturely

### 3.6. Maintenance of the Chimney

**Very important :** In order to avoid any incident (chimney fire, etc...), maintenance tasks must be carried out regularly

If the appliance is regularly used, the chimney should be swept several times per year, together with the stovepipe connection section.

If the chimney catches fire, you must cut off the flue draught, close the doors and windows, hatches, keys and call the Fire Brigade without delay.

**DO NOT OPEN THE DOOR OF THE APPLIANCE  
(OR AIR INLET)  
UNDER ANY CIRCUMSTANCES.**

Chimney condition should be checked at least once per year by a professional engineer.

### 3.7. Maintenance of the stove body

- The appliance must be cleaned regularly, together with the connecting pipe and the flue pipe.
- Remove all deposits from the combustion chamber and clean the grate area.
- The vitro ceramic glass can only be cleaned using a soft cloth and stove glass cleaner, available from your Franco Belge Dealer **DO NOT USE ABRASIVES.**
- The vitro ceramic glass resists a temperature of 750°C. If the glass should be broken, it is recommended that only an original factory replacement should be fitted
- Check that there are no obstructions before relighting after a long period of disuse
- The appliance must not be used with a flue serving several appliances
- To maintain the grates ventilation free of any obstruction

For enamelled finishes, the stove body can be cleaned using a soft cloth either dry, or slightly damp with a very mild detergent

**NEVER CLEAN ENAMEL SURFACES WHILST THE STOVE IS HOT.**

The cast iron body panels of non-enamelled stoves can be cleaned with a proprietary stove cleaner or re-sprayed / touched up using a stove paint. These products are available from your Franco Belge Dealer

### 3.8. Recommendations

This room heater is a high heat producing appliance and may cause severe burns if touched on the glass front door or on top directly over the burner.

The stove may still be **HOT** even when fire has burnt out.

**KEEP CHILDREN AWAY**

### 3.9. Trouble Shooting



: This sign means that you should ask for a qualified engineer to do the work.

<i>Problem</i>	<i>Probable causes</i>	<i>Action</i>
<i>Fire difficult to start Fire goes out</i>	<b>Wood green, too damp or poor quality</b>	- Use the recommended fuel
	<b>Logs are too big</b>	- To light the fire, use small, very dry twigs. To maintain the fire, use split logs
	<b>Air starvation</b>	- Open lower air control and top air control lever
	<b>Insufficient draught</b> <input checked="" type="checkbox"/>	- Check that the flue is not obstructed, sweep it if necessary - Seek advice from a chimney specialist.
<i>Fire burns too quickly</i>	<b>Too much draught</b>	- Ensure that the lower air control is closed - Partially close the top air control lever.
	<b>Excessive draw</b> <input checked="" type="checkbox"/>	- Install a draught stabiliser. Consult your Dealer
	<b>Poor quality wood</b>	- Do not continuously burn small wood, sticks, bundles, carpentry offcuts (plywood, pallets), etc..
<i>Smokes when lighting up</i>	<b>Flue duct is cold</b>	- Burn paper and kindling wood to increase heat.
	<b>Room is in decompression (negative pressure)</b>	- In houses equipped with mechanical ventilation, partly open a window until the fire is well established.
<i>Smokes while burning</i>	<b>Draught is insufficient</b> <input checked="" type="checkbox"/>	- Consult a chimney specialist - Check that the flue is not obstructed, sweep it if necessary
	<b>Down draught</b> <input checked="" type="checkbox"/>	- Install an anti-down draught cowl. Consult your Dealer
	<b>Room is in decompression (negative pressure)</b> <input checked="" type="checkbox"/>	- In houses equipped with Mechanical Ventilation, an outside air intake must be installed for the chimney
<i>Low heat output</i>	<b>Incorrect Fuels</b>	- Use the recommended fuel

## 4. Spare parts

When ordering spare parts, specify the **stove type** and **serial number**, including the **colour index** (on the guarantee or identification plate), the **name of the part** and the **part number**.

**Example** : Wood stove, ref **134 10 10 Y**, top plate **352124 AB**.

**A = 134 10 10 Y ; B = 134 10 10 J ; C = 134 10 10 L ; D = 134 10 10 D**

**E = 134 10 10 C ; F = 134 10 10 F ; G = 134 10 10 N ; H = 134 10 10 P ; I = 134 10 10 Q**

N°	Code	Description	Type	A	B	C	D	E	F	G	H	I	Qty
1	100939	Axle		A	B	C	D	E	F	G	H	I	05
2	101048	Axle		A	B	C	D	E	F	G	H	I	02
3	110404	Hinge pin.	6x30	A	B	C	D	E	F	G	H	I	02
4	110405	Hinge pin.	6x35	A	B	C	D	E	F	G	H	I	02
5	134107	Glove.		A	B	C	D	E	F	G	H	I	01
6	134711	Pin	6x30	A	B	C	D	E	F	G	H	I	02
7	134750	Pin	4x26	A	B	C	D	E	F	G	H	I	02
8	181632	Gasket	Ø 6	A	B	C	D	E	F	G	H	I	1,32 m
9	162546	Descriptive plate		A	B	C	D	E	F	G	H	I	01
10	181607	Ceramic rope	Ø 9,5	A	B	C	D	E	F	G	H	I	1 m
11	181614	Ceramic rope	Ø 9,5	A	B	C	D	E	F	G	H	I	3,40 m
12	105006	Gasket		A	B	C	D	E	F	G	H	I	1,77 m
13	188780	Ceramic glass	439x272x4	A	B	C	D	E	F	G	H	I	C1
14	205391	Back panel		A	B	C	D	E	F	G	H	I	01
15	209915	Protector		A	B	C	D	E	F	G	H	I	01
16	326603	Suppl. flue baffle		A	B	C	D	E	F	G	H	I	01
17	237413	60. Reducing plate.		A	B	C	D	E	F	G	H	I	01
18	259015	Fixing plate.		A	B	C	D	E	F	G	H	I	04
19	270409	Air control flap		A	B	C	D	E	F	G	H	I	01
20	270410	60. Air control flap		A	B	C	D	E	F	G	H	I	01
21	300122	MK Leg					D	E					04
21	300122	AB Leg		A			D						04
21	300122	77. Leg				C							04
21	300122	79. Leg			B								04
21	300122	ED Leg						F					04
21	300122	EP Leg							G				04
21	300122	RH Leg								H			04
21	300122	ER Leg									I		04
22	300462	AB Base		A	B	C	D	E	F	G	H		01
23	300993	MK Handle						E					02
23	300993	AB Handle		A			D						02
23	300993	77. Handle				C							02
23	300993	79. Handle			B								02
23	300993	ED Handle						F					02
23	300993	EP Handle							G				02
23	300993	RH Handle								H			02
23	300993	ER Handle									I		02
24	303515	MK Loading door						E					01
24	303515	AB Loading door		A			D						01
24	303515	77. Loading door				C							01
24	303515	79. Loading door			B								01
24	303515	ED Loading door						F					01
24	303515	EP Loading door							G				01
24	303515	RH Loading door								H			01
24	303515	ER Loading door									I		01
25	303718	MK Blanking plate						E					01
25	303718	AB Blanking plate		A			D						01
25	303718	77. Blanking plate				C							01
25	303718	79. Blanking plate			B								01
25	303718	ED Blanking plate						F					01
25	303718	EP Blanking plate							G				01
25	303718	RH Blanking plate								H			01
25	303718	ER Blanking plate									I		01
26	303860	MK Flue collar						E					01
26	303860	AB Flue collar		A			D						01
26	303860	77. Flue collar				C							01
26	303860	79. Flue collar			B								01
26	303860	ED Flue collar						F					01
26	303860	EP Flue collar							G				01
26	303860	RH Flue collar								H			01
26	303860	ER Flue collar									I		01
27	305015	AB Wall		A	B	C	D	E	F	G	H	I	01
28	305150	AB Back wall		A	B	C	D	E	F	G	H	I	01
29	306278	AB Back wall		A	B	C	D	E	F	G	H	I	01
30	307422	AB Fuel retainer		A	B	C	D	E	F	G	H	I	02
31	309231	AB Wood grate		A	B	C	D	E	F	G	H	I	01

A = 134 10 10 Y ; B = 134 10 10 J ; C = 134 10 10 L ; D = 134 10 10 D

E = 134 10 10 C ; F = 134 10 10 F ; G = 134 10 10 N ; H = 134 10 10 P ; I = 134 10 10 Q

N°	Code	Description	Type	A	B	C	D	E	F	G	H	I	Qty
32	309897	MK	Front plate					E					01
32	309897	AB	Front plate	A			D						01
32	309897	77	Front plate			C							01
32	309897	79	Front plate		B								01
32	309897	ED	Front plate						F				01
32	309897	EP	Front plate							G			01
32	309897	RH	Front plate								H		01
32	309897	ER	Front plate									I	01
33	310729	MK	R. side panel					E					01
33	310729	AB	R. side panel	A			D						01
33	310729	77	R. side panel			C							01
33	310729	79	R. side panel		B								01
33	310729	ED	R. side panel						F				01
33	310729	EP	R. side panel							G			01
33	310729	RH	R. side panel								H		01
33	310729	ER	R. side panel									I	01
34	310826	MK	L. side panel					E					01
34	310826	AB	L. side panel	A			D						01
34	310826	77	L. side panel			C							01
34	310826	79	L. side panel		B								01
34	310826	ED	L. side panel						F				01
34	310826	EP	L. side panel							G			01
34	310826	RH	L. side panel								H		01
34	310826	ER	L. side panel									I	01
35	314607		Inner door	A	B	C	D	E	F	G	H	I	01
36	315602		Air duct	A	B	C	D	E	F	G	H	I	01
37	323211		Flue baffle	A	B	C	D	E	F	G	H	I	01
38	325304	AB	Reducing plate	A	B	C	D	E	F	G	H	I	03
39	327901	MK	Tray					E					01
39	327901	AB	Tray	A			D						01
39	327901	77	Tray			C							01
39	327901	79	Tray		B								01
39	327901	ED	Tray						F				01
39	327901	EP	Tray							G			01
39	327901	RH	Tray								H		01
39	327901	ER	Tray									I	01
40	331108	MK	Main door					E					01
40	331108	AB	Main door	A			D						01
40	331108	66	Main door				D						01
40	331108	77	Main door			C							01
40	331108	79	Main door		B								01
40	331108	ED	Main door						F				01
40	331108	EP	Main door							G			01
40	331108	RH	Main door								H		01
40	331108	ER	Main door									I	01
41	352124	MK	Top plate					E					01
41	352124	AB	Top plate	A			D						01
41	352124	77	Top plate			C							01
41	352124	79	Top plate		B								01
41	352124	ED	Top plate						F				01
41	352124	EP	Top plate							G			01
41	352124	RH	Top plate								H		01
41	352124	ER	Top plate									I	01
42	406816		Clamp	A	B	C	D	E	F	G	H	I	01
43	415504	60	Poker	A	B	C	D	E	F	G	H	I	01
44	624043		Ash-pan	A	B	C	D	E	F	G	H	I	01
45	808001	ED	Hand tool	A	B	C	D	E	F	G	H	I	01
46	262608		Heat shield	A	B	C	D	E	F	G	H	I	01
47	988874		Complete door	A									01
47	988880		Complete door		B								01
47	988881		Complete door			C							01
47	988887		Complete door				D						01
47	988990		Complete door					E					01
47	988911		Complete door						F				01
47	988857		Complete door							G			01
47	988989		Complete door								H		01
47	988992		Complete door									I	01
48	142881		Gasket	A	B	C	D	E	F	G	H	I	04
49	161025		Touch-up paint	(L)		C							01
49	161027		Touch-up paint	(J)	B								01
49	161059		Touch-up paint	(C)				E					01
49	161039		Touch-up paint	(P)							H		01

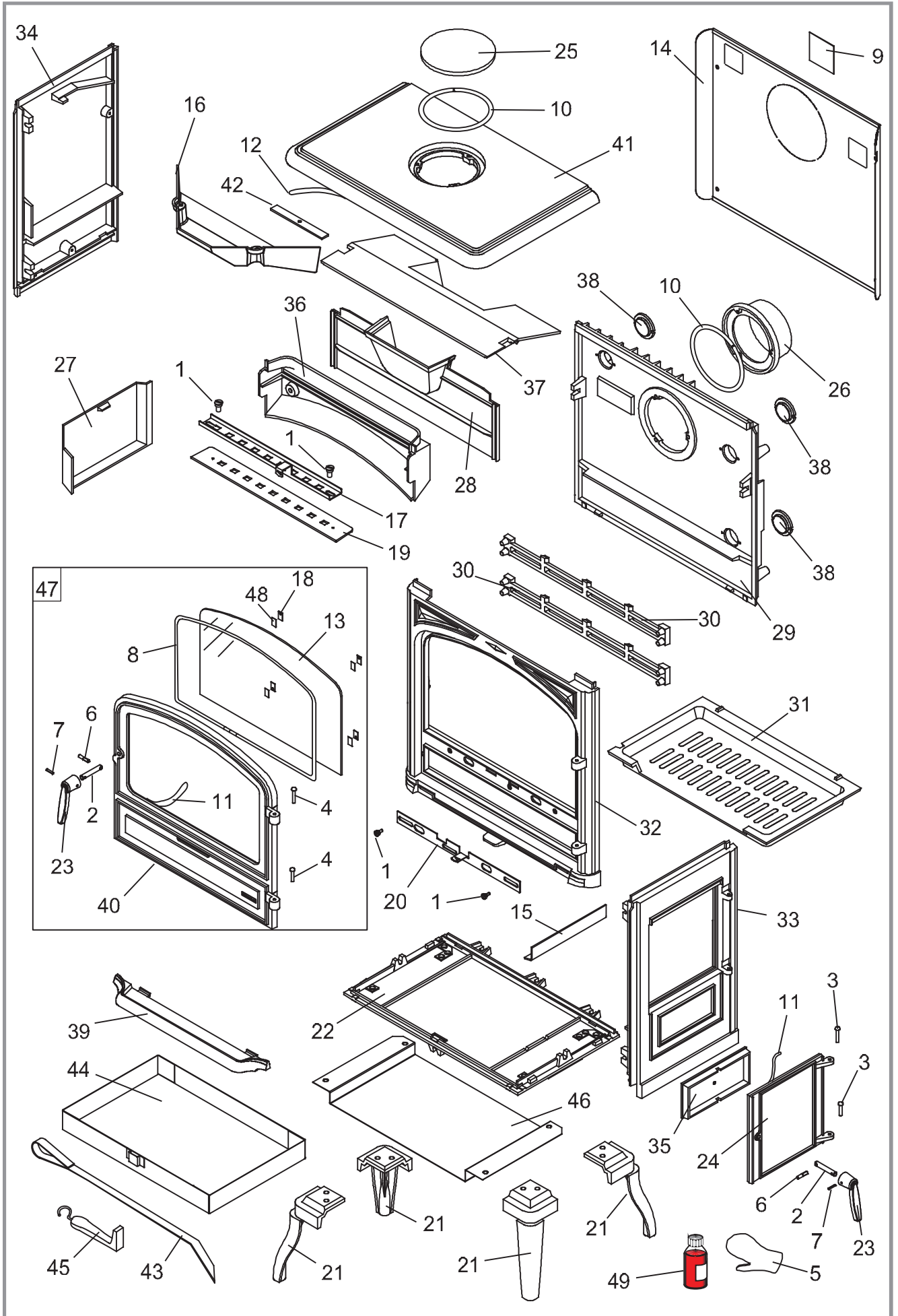


Figure 9 - Stove - exploded view



# Guarantee certificate

## Legal guarantee

The specifications, dimensions and information shown on our documents are provided for information purposes only and under no circumstances are binding upon the vendor.

With the aim of constantly improving our equipment, all modifications considered as necessary by our departments may be made without notice.

The provisions of the present guarantee certificate are not excluding or limiting the owner of the equipment's rights, concerning the legal guarantee regarding faults or hidden vices which applies in all circumstances, in the conditions detailed in articles 1641 and following of the civil code and in the country in which the equipment was purchased.

## Contractual guarantee

Our equipment is guaranteed against faults and hidden vices subject to the following conditions :

- 1) Installation and adjustment of the device by a professional installer.
- 2) Observance of the instructions provided in our technical documents and our installation/adjustment instructions.
- 3) The installation, use and maintenance of the device carried out in conformity with the applicable standards and legislation, and with the indications provided in the technical instructions accompanying the device.

This guarantee covers the replacement, in our factory, of parts recognised as being defective from the outset by our "Guarantee Inspection Department". Carriage and

labour is at the user's cost. Moreover, if the repair or replacement of parts covered by the guarantee is found to be too costly vis-à-vis the price of the appliance, the decision to replace or repair the appliance will be taken by the vendor.

Our guarantee is for 2 (two) years for all appliances, with the exception of closed combustion fireplace and inserts for which our guarantee is 5 (five) years excluding the following :

- 1) Indicator lights, fuses, electrical elements and fans.
- 2) Parts subject to wear or in contact with high temperatures namely : soles and burner grills, bottom plates baffles, ash pans, paintwork and surface treatments for decorative parts. Also excluded from this guarantee are seals and windows.
- 3) Any damage which may result from the use of the appliance with a fuel other than that stipulated in our instructions.
- 4) Damage occurring to parts caused by elements outside the appliance (down draught, storm damage, damp, abnormal pressure or vacuum, heat shocks, etc...).
- 5) Damage to electrical parts caused by plugging in and using the appliance on a mains system, the voltage of which (measured at the entrance to the appliance) is 10% above or below the nominal voltage of 220 V.

## Exclusion of liability

In the case of a product manufactured at the client's request, under no circumstances may we, as a subcontractor, be considered liable vis-a-vis the client or third parties for defects arising from the installation or a design fault with the item in question.

✉ Name and address of the installer : \_\_\_\_\_

☎ Telephone : \_\_\_\_\_

✉ Name and address of the customer : \_\_\_\_\_

Date of installation : \_\_\_\_ / \_\_\_\_ / \_\_\_\_

Model of the appliance :  134 10 10

Couleur :  Y  J  L  D  C  F  N  P

Serial number : \_\_\_\_\_

- This certificate has to be completed and kept carefully.  
In case of claims, send a copy of this to :

**FRANCO BELGE** ♦♦

"La chaleur en toute confiance"

127<sup>ème</sup> RIF,15  
BE 5660 MARIEMBOURG