
SAVOIE

Wood stove

EN 13240 : 2005-10

Model : 134 08 03

Output : 8 kW



Description of the appliance

Installation instructions

Operating instructions

Spare parts

Warranty certificate

Document n° 957-19

23/01/2012

EN

Technical manual

to be saved

by the user

for future reference

FRANCO BELGE ♦♦

"La chaleur en toute confiance"

127^{ème} RIF,15

BE 5660 MARIEMBOURG

Subject to modifications.

FRANCO BELGE congratulates you on your choice.
FRANCO BELGE, guarantees the quality of its appliances and is committed to meet its customers' needs.
FRANCO BELGE, which can boast a 80-year experience in the industry of heating devices, uses state-of-the-art technologies to design and manufacture its whole range of products.
This document contains instructions on how to install your appliance and make full use of its functions, both for your comfort and safety.

CONTENTS

Product information	p. 3		
Package	p. 3	Description	p. 3
Optional	p. 3	Principle of operation.	p. 3
General characteristics.	p. 3		
<hr/>			
Installation instructions	p. 4		
Warning to the user	p. 4	Mounting the tray	p. 6
Location of the unit	p. 4	Door closing pressure	p. 6
Chimney.	p. 5	Pre-utilisation check	p. 7
Assembly of flue spigot	p. 5	Maintenance of the Chimney	p. 7
Chimney connector.	p. 6		
<hr/>			
Instructions for user	p. 8		
Fuel	p. 8	Maintenance of the stove body	p. 9
Lighting	p. 9	Maintenance of the Chimney	p. 9
Operating procedure	p. 9	Recommendations	p. 10
Loading the fuel	p. 9	Trouble Shooting	p. 10
De-ashing	p. 9		
<hr/>			
Spare parts	p. 11		

This appliance is meant to burn wood safely

Warning

An incorrectly installed wood stove can cause serious accidents.

We recommend that you engage the services of a professional engineer for its installation and the regular maintenance requirements.

1. Product information

1.1. Package

- 1 package : Stove complete

1.2. Optional

- Set of 4 short legs (only 134 08 03 Y)

1.3. General characteristics

Reference	134 08 03
Maximum output kW	8
Chimney draught required Pa	12
Usable firebox dimensions	
- width mm	450
- depth mm	240
- height mm	365
Log dimensions	
- Length maxi cm	40
Ash pan capacity litres	3
Net weight kg	100
Volume heated m ³	280
Efficiency classification %	71
Co (13% O ₂) %	0,1
Mean flue gas temperature °C	399
Flue mass flow g/s	8,19
Fuel flow kg/h	3,2
Emission of dust mg/Nm ³	25

1.4. Description

- Wood stove, In conformity with EN 13240 : 2005-10
- Intermittent-burning heating appliance when using wood.
- Wood burnt on grate.
- Enclosed combustion chamber with refractory brick walls.
- Removable appliance, to be installed near a wall.
- Detachable flue spigot for rear or top chimney connection.
- Detachable top for easy handling and cleaning (rear smoke exit only).
- Loading door with a side opening (to the right of the appliance).
- Adjustable air controls for controlling the burning rate.
- Spin wheel for lighting.
- Large ash-pan.
- Long lasting burning cycle : When the appliance is loaded with à 4,8 kg (see page 8, § 3.1.) of dry rate (primary and secondary air inlet closed) with a 6 Pa draught, it runs for 11 hours.

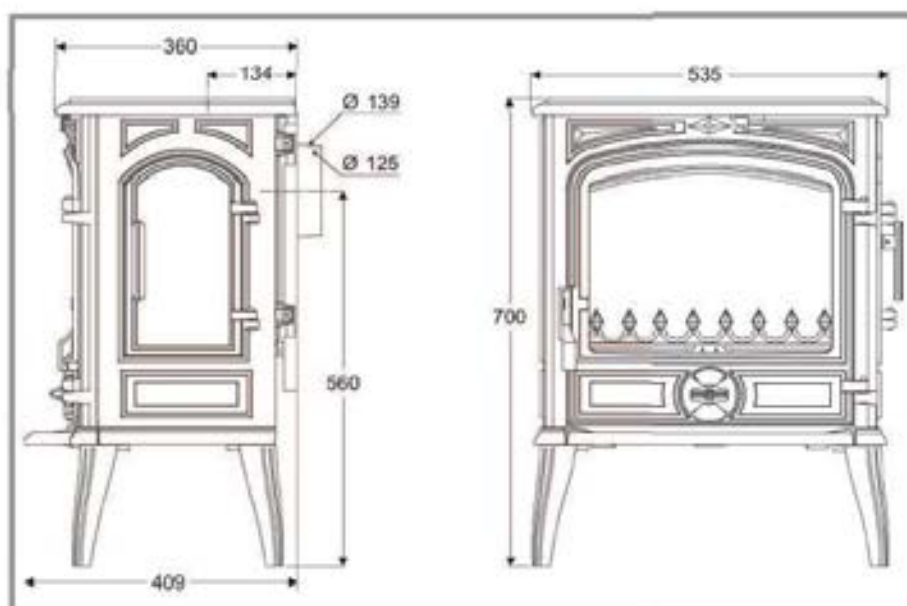


Figure 1 - Dimensions in mm

1.5. Principle of operation

The appliance is designed for operation with the door closed. Heat is mainly diffused by radiation, through the window and body of the appliance.

Combustion occurs on the grate, with draught entry through the top of the combustion chamber when using wood and under the grate when using coal.

2. Installation instructions

2.1. Warning to the user

All the local and national regulations and in particular those relating to national and European standards, must be observed when installing the appliance.

An incorrectly installed heating appliance can cause serious accidents (chimney fires, burning of plastic insulation materials, in partition walls, etc...).

The insulation of both the appliance and the exhaust gas pipe has to be reinforced and done according to the Standards and the Building Regulations for safety reasons.

Failure to respect the mounting instructions leads to engage the responsibility of the one doing the installation.

The manufacturer's responsibility shall be limited to the supply of the equipment.

2.2. Location of the unit

Ventilation : For satisfactory appliance operation with a natural draught, check that sufficient air for combustion is available in the room.

Position of the unit : For new installations, select a central position within the house, to provide a good heat distribution around the building.

The heat distribution towards the other rooms will be made through the communicating doors.

These rooms must be in negative pressure or must include ventilation gratings.

Floor and walls : Make sure they are not combustible or covered with combustible material (as per the Building regulations).

Otherwise it must necessary to install a non-combustible protection.

There must be a clearance of at least 150 mm at each side of the appliance and at the back of the appliance from a non-combustible wall.

This distance must be extended to a minimum clearance of 350 mm from any combustible materials.

This measurement may be reduced to a minimum gap of 50 mm when the non-combustible wall is at least 200 mm thick.

When using a single wall flue pipe, there must be a clearance (A) of at least three times its diameter (B) from any combustible materials.

If the appliance has to be located in an opening, this distance must be extended to a minimum clearance (A) of 375 mm from the pipe or the stove body to any combustible materials.

Hearth : The appliance must stand on a fireproof hearth.

It is possible to provide a hearth made of non combustible board/sheet material or tiles at least 12 mm thick.

Constructional hearths should be constructed of solid non combustible material at least 125 mm thick (including the thickness of any non combustible floor under the hearth).

The hearth must protrude at least 225 mm in front of the stove and 150 mm each side.

If the hearth is constructed on timber, there must be a clearance of at least 250 mm from the timber to the top surface of the hearth.

See section J of the Building regulations.

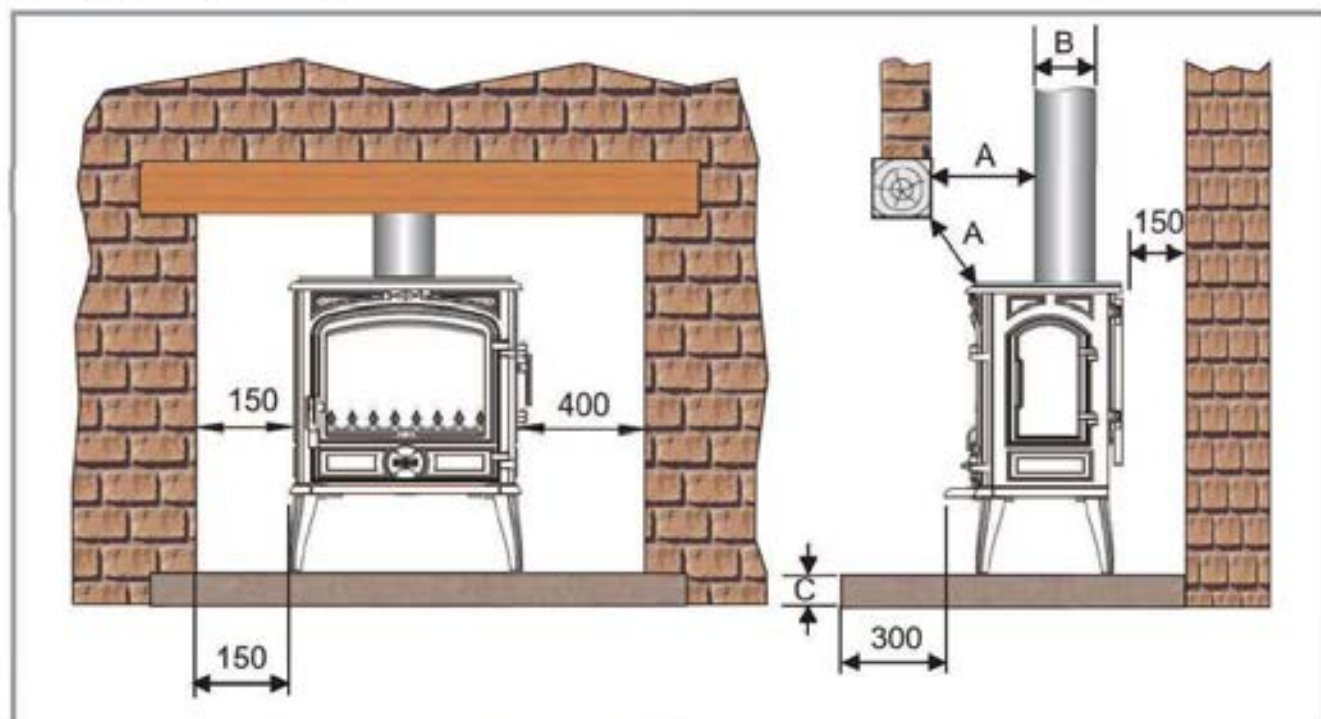


Figure 2 - Minimum clearances

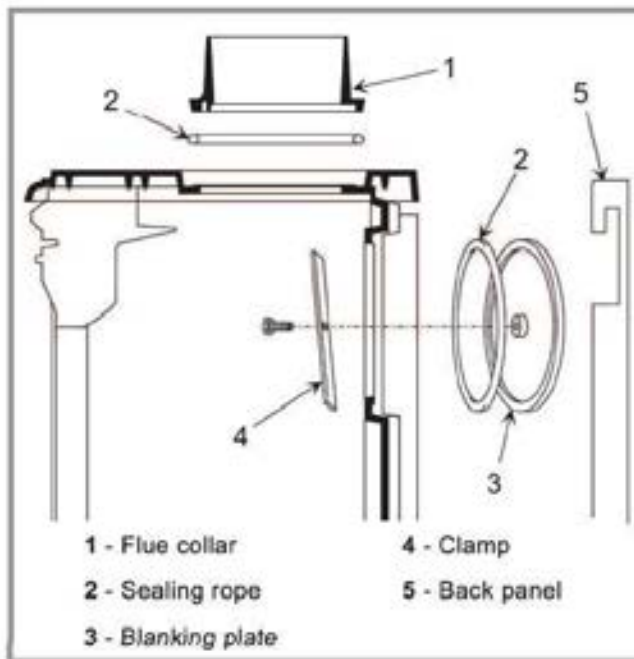


Figure 3 - Smoke exit on the top

2.3. Chimney

Existing flue : The chimney must comply with Current Building Regulations. If in doubt, consult your Dealer or local Building Inspector.

- The flue must be in good condition and must provide sufficient draught (refer to technical details p. 3).
- The flue must be suitable for the installation of fuel burning appliances, otherwise it must necessary to install a tubing.
- The flue must be clean. It should be swept to remove soot and dislodge tar deposits.
- The flue must be well insulated. If the flue inner wall surfaces are cold, a good thermal draw is impossible causing condensation problems (tar formation, etc...) to occur.
- The flue must be watertight.
- The flue must not be shared with other appliances.
- The chimney must have a constant cross section.
- When the cross-section of the chimney is too large, it has difficulties in obtaining a good draught.
- The recommended minimum flue height is 5 metres.
- In case of a flat roof or when the roof gradient is lower than 15°, the stack must be 1,2 m (4 feet) high at least.
- If the chimney has any down draught tendency, due to its position in relation to nearby obstacles, then an anti-down draught cowl must be installed on the chimney or the chimney height must be increased.
- If the chimney draught is excessive or irregular, a draught stabiliser must be installed. **It must be visible and accessible.**

Chimney to be built / new flue : The chimney must comply with Current Building Regulations. If in doubt, consult your Dealer or local Building Inspector.

- The appliance must not support the weight of the flue.
- Consult a chimney specialist for advice on suitable flue systems for solid fuel appliances.
- It must be distant from any combustible material (walls, cross members).
- It must permit an easy sweeping.

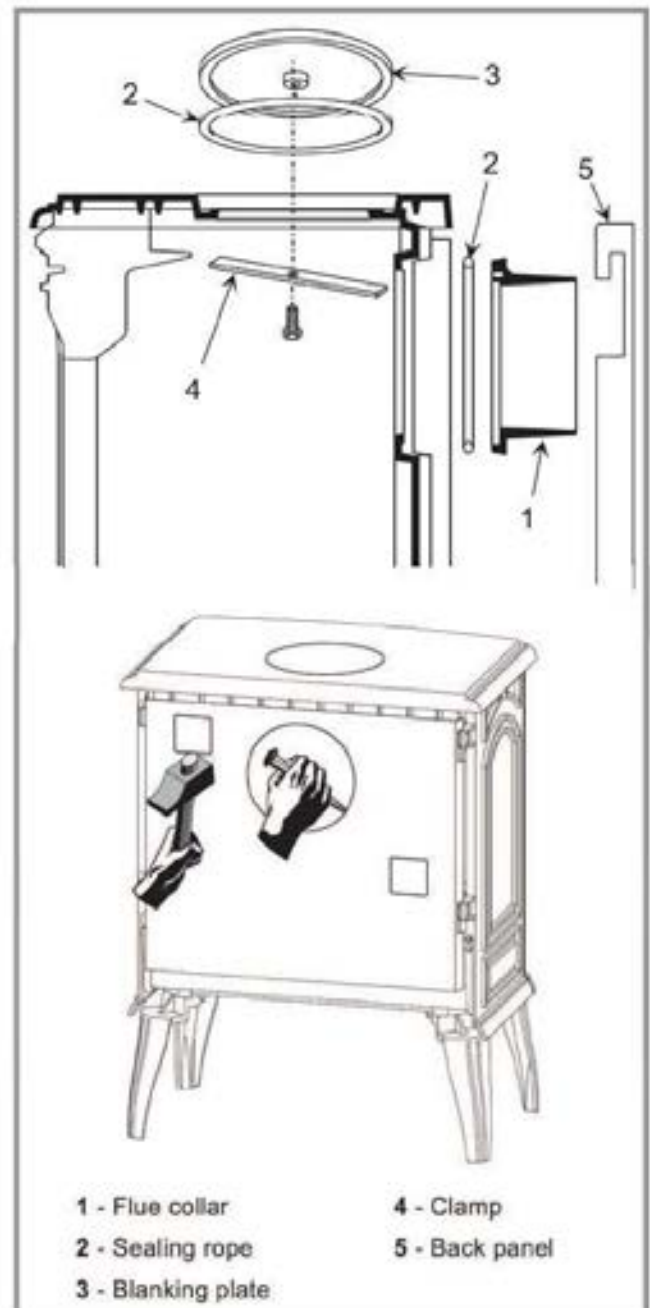


Figure 4 - Smoke exit at rear

2.4. Assembly of flue spigot

The stove is supplied with a connection flue spigot with an inner diameter of 125 mm and an outer diameter of 139 mm.

2.4.1. Smoke exit on the top (figure 3)

- Fit the sealing rope 2 in the groove on the top and fix the flue collar 1 with 3 bolts and washers supplied.

2.4.2. Smoke exit at rear (figure 4)

- Remove the rear heat shield and remove the preformed hole plate.
- Remove the retainer fuel (fig. 8, p. 7), the two side bricks # 23 and 24 p. 13) and the flue baffle (fig. 7, p. 6).
- Remove the blanking plate 3 and the clamp 4 and assembly in the top, ensuring there is a good seal.

- Fix the flue collar **1** at rear with 3 bolts and washers supplied, ensuring there is a good seal.
- Replace all the internal parts in the reverse order.
- Replace the rear heat shield.

2.5. Chimney connector

- The connection to flue must be carried out according to local building regulations.
- The stove must be installed as close as possible to the chimney.
- The connector pipe must be approved for installation with combustion products (either 24 ga. black painted or blued steel or 316 grade 20 ga. Stainless steel or 1 mm vitreous enamelled steel).
- Pipe diameter must not be less than the appliance spigot diameter. Otherwise the reducing must be 1 diameter lower than the flue spigot and be situated as distant as possible from the flue connection of the appliance.
- The connection can be either vertical or horizontal. For horizontal connections, avoid right angle bends.
- The joint between the connection pipe and the stovepipe, and the flue, must be leak tight.
- For the premises equipped with a mechanical controlled ventilation, the airtightness has to prevent the exhauster drawing out the smokes from the exhaust gas pipe.
- The connection pipe and any draught stabiliser must have access for cleaning.

2.6. Mounting the tray

Figure 5

To avoid damage during transport, the tray has been stored behind the main door.

Center the tray on tab "A" and lower into place.

2.7. Door closing pressure

Figure 6

The closing latch rotates around a pressure screw positioned cam.

- Remove gently the ceramics rope.
- Loosen pressure screw **1**.
- Turn cam **2** to desired position.
- Tighten pressure screw **1**.

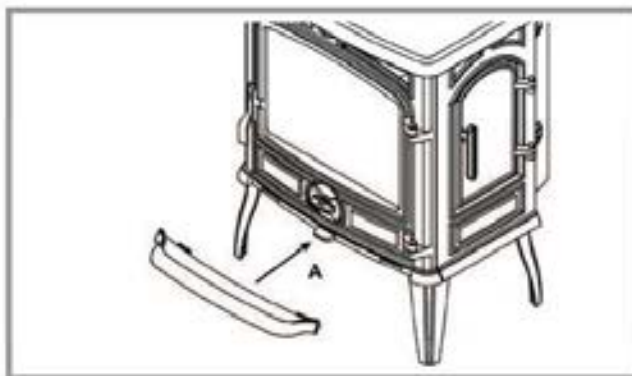
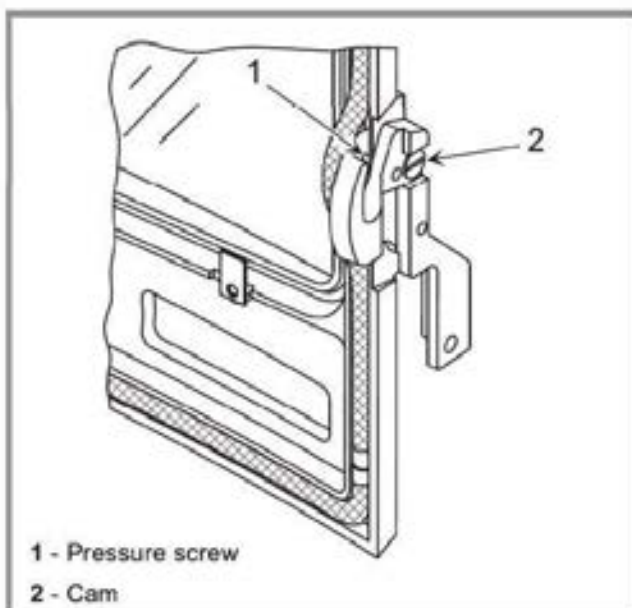


Figure 5 - Mounting the tray



- 1 - Pressure screw
- 2 - Cam

Figure 6 - Door closing pressure

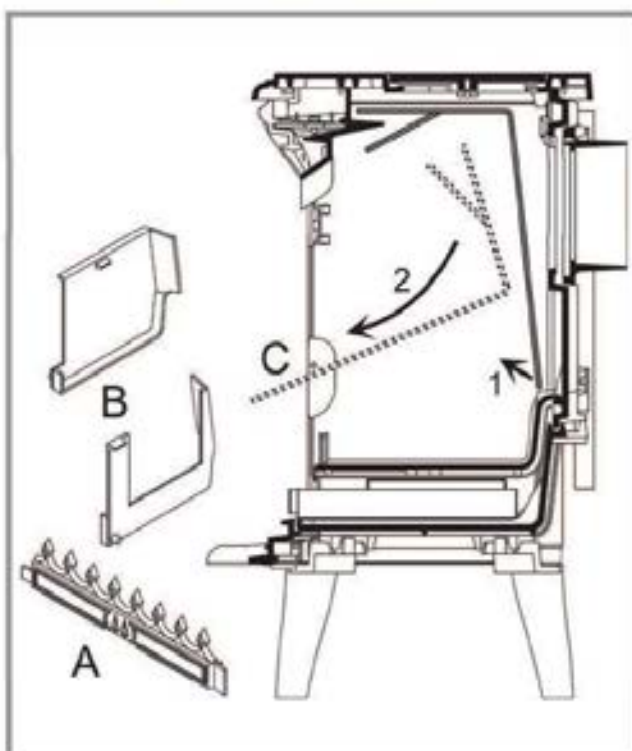


Figure 7 - Removing the flue baffle

2.8. Pre-utilisation check

- Check that the glasses are not damaged.
- Check that the smoke passages are not obstructed by packaging or removable parts.
- Check that the seals of the smoke-line are in good condition.

Note : if it acts of a ceramics braid, it is consumable and thus brought to be changed by the user.

- Check that the doors close correctly.

Check that all removable parts are correctly installed (bricks, flue baffle, etc...).

2.9. Maintenance of the Chimney

In order to avoid any incident (chimney fire, etc...), maintenance tasks must be carried out regularly.

If the appliance is regularly used, the chimney should be swept several times per year, together with the stovepipe connection section.

First remove the retainer grate (fig. 8), the two side bricks and the flue baffle (fig. 7).

Replace all parts in the reverse order.

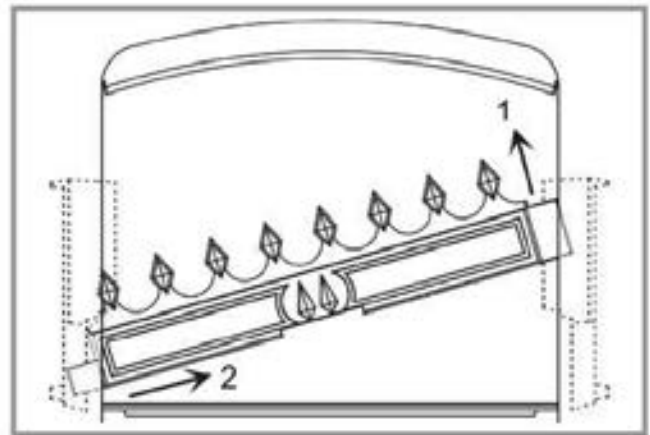


Figure 8 - Removing the retainer grate

If the chimney catches fire, you must cut off the flue draught, close the doors and windows, hatches and keys and call the Fire Brigade without delay.

DO NOT OPEN THE DOOR OF THE APPLIANCE (OR AIR INLET) UNDER ANY CIRCUMSTANCES.

3. Instructions for user

The manufacturer will not be responsible for damages on parts of the appliance due to the use of prohibited fuel or due to an alteration of the appliance or its installation. **Only use replacement parts supplied by the manufacturer.**

All the local and national regulations and in particular those relating to national and European standards, must be observed when using the appliance.

Don't run the stove in mild weather with coal ! Under certain circumstances (e.g. fog and repeated thaw) the chimney will not draw sufficiently well and thus be at the origin of asphyxia.

3.1. Fuel

THIS APPLIANCE IS NOT AN INCINERATOR.

• **Recommended fuel :** Wood with the grate provided.

Use hard wood logs, which have been cut for at least two years and stored, under shelter.

Hardwood has a higher calorific value per cu metre (oak, ash, maple, birch, elm, beech, etc...).

Large logs must be split and cut to a usable length, before being stored in a sheltered and ventilated place.

Recommended fuel with the coal grate 308711.

Smokeless fuels, including coolite nuts, phurnacite, ancit and extracite.

• **Not recommended as fuel :**

"Green wood" : Green or damp wood reduces stove efficiency and soils the glass, the internal walls and the flue (soot, tar, etc...).

"Used timbers" : Burning treated wood (railway sleepers, telegraph poles, offcuts of plywood or chip board, pallets, etc.) quickly clogs the flue ways (soot, tar, ...), pollutes the environment (pollution and smell, ...) and cause the fire to burn too quickly and overheat.

"Green wood" and "recovered wood" can eventually cause a chimney fire.

• **Prohibited fuel :**

Any form of bituminous coal or petroleum based coke.

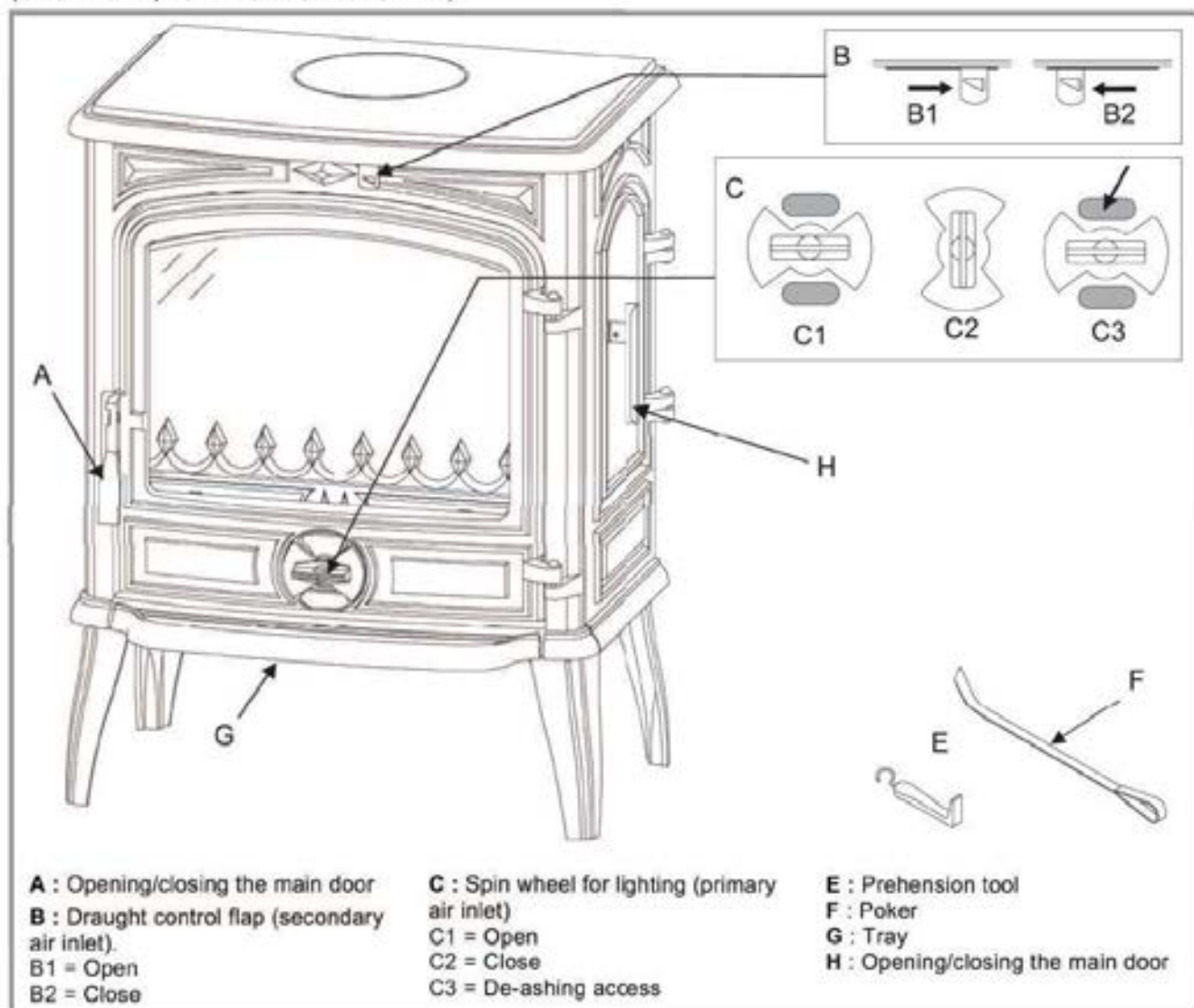


Figure 9 - Operating devices

3.2. Lighting

Figure 9

- Slide the top air control (secondary air inlet) (# B1) to the right. Open the lower spin wheel (primary air inlet) (# C1).
- Open the main door.
- Lay firelighters or rolled up newspapers on the grate with a reasonable quantity, if necessary, of dry kindling wood. Place 2 or 3 small logs on top.
- Light the newspaper or firelighters using a long taper and close the door (# A).
- When the fire is burning fiercely, add further logs of a diameter up to 10 cm.
- When the stove body is very hot, close the lower spin wheel (# C2).
- The burning rate can now be adjusted by moving the top air control to the left (# B1). Experience will show you which settings are best for your situation.

At the first lighting, the fire must be progressively increased to allow the various parts to expand normally and to dry up.

Note : When the fire is lit for the first time, the stove may give off fumes from the new paint. This is normal but ensure the room is well ventilated during the first few hours of operation.

- The minimum reloading interval for nominal heat output is 0,45 hours.

3.3. Operating procedure

The appliance is designed for operating only with the door closed.

The burning rate can be adjusted by moving the top air control (# B1).

Experience will show you which settings are best for your situation.

The nominal output is obtained with the secondary air (mark B) completely open and primary air (mark C) completely closed.

The airwash system works with the top airslide. When the top airslide is full open the system works at its *strongest efficiency*.

The more closed down the airslide is, the less effective the airwash will be (when shut down completely, the airwash system can not function).

3.4. Loading the fuel

It is advisable to wait for the fire to be reduced to hot embers before re-loading.

The door should be opened slowly, avoiding a sudden rush of intake air, so that smoke does not escape into the room.

The logs must be placed on the glowing embers.

For a briskly burning fire, there should always be at least two logs in the grate. The fire will burn better if there are several logs.

For a slower burning fire (for example, at night), select larger logs.

After loading the firebox, close the loading door.

Open the lighting flap for a while.

3.5. De-ashing

It is essential to keep the grate free from a heavy build up of ashes.

REMEMBER TO BURN SOLID FUEL CORRECTLY, AIR SHOULD BE ALLOWED TO FLOW FROM THE ASH PIT AREA THROUGH THE GRATE AND THROUGH THE FUEL. IF THE GRATE OR ASH PAN ARE CONGESTED, THE PERFORMANCE WILL BE EFFECTED.

If burning solid fuel, always empty the ash pan at least once a day or whenever it is full of ashes. Never allow the ashpan to overflow allowing ash to be in contact with the underside of the grate. If this condition is allowed, the grate will wear out pre-maturely.

3.6. Maintenance of the stove body

- The appliance must be cleaned regularly, together with the connecting pipe and the flue pipe.
- Remove all deposits from the combustion chamber and clean the grate area.
- The vitro ceramic glass can only be cleaned using a soft cloth and stove glass cleaner, available from your Franco Belge Dealer. **DO NOT USE ABRASIVES.**
- The vitro ceramic glass resists a temperature of 750°C. If the glass should be broken, it is recommended that only an original factory replacement should be fitted.
- For enamelled finishes, the stove body can be cleaned using a soft cloth either dry, or slightly damp with a very mild detergent. **NEVER CLEAN ENAMEL SURFACES WHILST THE STOVE IS HOT.**
- The cast iron body panels of non-enamelled stoves can be cleaned with a proprietary stove cleaner or re-sprayed / touched up using a stove paint. These products are available from your Franco Belge Dealer.
- Check that there are no obstructions before relighting after a long period of disuse.
- The appliance must not be used with a flue serving several appliances.
- To maintain the grates ventilation free of any obstruction.
- Check that joints are in good enough condition to provide perfect sealing (loading buffer, glazed door and ash door). Replace gasket if necessary.

3.7. Maintenance of the Chimney

Very important : In order to avoid any incident (chimney fire, etc...), maintenance tasks must be carried out regularly.

If the chimney catches fire, you must cut off the flue draught, close the doors and windows, hatches and keys and call the Fire Brigade without delay.

DO NOT OPEN THE DOOR OF THE APPLIANCE (OR AIR INLET) UNDER ANY CIRCUMSTANCES.

Chimney condition should be checked at least once per year by a professional engineer.

3.8. Recommendations

This room heater is a high heat producing appliance and may cause severe **burns** if touched on the glass front door, or on top directly over the burner

The stove may still be **hot** even when fire has burnt out.

KEEP CHILDREN AWAY.

3.9. Trouble Shooting



: This sign means that you should ask for a qualified engineer to do the work.

Problem	Probable causes	- Action
<i>Fire difficult to start Fire goes out</i>	Wood green, too damp	- Use hard wood logs, which have been cut for at least two years and stored, under shelter.
	Logs are too big	- To light the fire, use small, very dry twigs. To maintain the fire, use split logs.
	Poor quality wood	- Use hardwood that have a higher calorific value per cu metre (Yoke-elm, oak, ash, maple, birch, elm, beech, etc...).
	Air starvation	- Open lower spin wheel and top air control lever.
	Insufficient draught <input checked="" type="checkbox"/>	- Check that the flue is not obstructed, sweep it if necessary. - Seek advice from a chimney specialist.
<i>Fire burns too quickly.</i>	Too much draught	- Ensure that the lower spin wheel is closed. - Partially close the top air control lever.
	Excessive draw <input checked="" type="checkbox"/>	- Install a draught stabiliser. Consult your Dealer.
	Poor quality wood	- Do not continuously burn small wood, sticks, bundles, carpentry offcuts (plywood, pallets, etc...).
<i>Smokes when lighting up.</i>	Flue duct is cold	- Burn paper and kindling wood to increase heat.
	Room is in decompression (negative pressure)	- In houses equipped with *VMC , partly open a window until the fire is well established.
<i>Smokes while burning.</i>	Draught is insufficien <input checked="" type="checkbox"/>	- Consult a chimney specialist. - Check that the flue is not obstructed, sweep if necessary.
	Down draught <input checked="" type="checkbox"/>	- Install an anti-down draught cowl. Consult your Dealer.
	Room is in decompression (negative pressure) <input checked="" type="checkbox"/>	- In houses equipped with *VMC , an outside air intake must be installed for the chimney.
	Incorrect Fuels	- Use the recommended fuel.
<i>Low heat output.</i>	Poor mixing of the convection air	- Check that the next rooms are equiped with ventilation grids to help out the hot air circulation.

(*Mechanical controlled ventilation)

4. Spare parts

When ordering spare parts, specify the **stove type** and **serial number**, including the **colour index** (on the guarantee or identification plate), the **name of the part** and the **part number**.

Example : Wood stove "SAVOIE", ref. 134 08 03, colour Y, top plate 352150 EF.

A = 134 08 03 Y ; **B** = 134 08 03 J ; **C** = 134 08 03 L ; **D** = 134 08 03 D ; **E** = 134 08 03 C

N°	Code	Description	Type	A	B	C	D	E	Qty
1	100917	Cam pin	12x20 M7	A	B	C	D	E	01
2	100939	Axle		A	B	C	D	E	02
3	110404	Hinge pin	6x30	A	B	C	D	E	02
4	134258	Bushing		A	B	C	D	E	01
5	181632	Adhesive rope		A	B	C	D	E	1,30 m
6	166003	Spring	11x15	A	B	C	D	E	01
7	808001	ED Handle		A	B	C	D	E	01
8	181607	Ceramic rope	Ø 9,5	A	B	C	D	E	2,60 m
9	188812	Ceramic glass	379x293	A	B	C	D	E	01
10	189103	Screw	27x8x6	A	B	C	D	E	01
11	189825	Screw	M 6x5	A	B	C	D	E	01
12	205362	Back panel		A	B	C	D	E	01
13	222556	Flue baffle		A	B	C	D	E	01
14	237411	60 Reducing plate		A	B	C	D	E	01
15	259015	Fixing plate		A	B	C	D	E	04
16	270408	Air control flap		A	B	C	D	E	01
17	300126	EF Leg	(180 mm)	A			D		04
17	300126	79 Leg	(180 mm)		B				04
17	300126	77 Leg	(180 mm)			C			04
17	300126	MK Leg	(180 mm)					E	04
18	300481	EF Base		A	B	C	D	E	01
19	301526	EF Door lock		A					01
19	301526	79 Door lock			B				01
19	301526	77 Door lock				C			01
19	301526	66 Door lock					D		01
19	301526	MK Door lock						E	01
20	301742	EF Air damper		A			D		01
20	301742	79 Air damper			B				01
20	301742	77 Air damper				C			01
20	301742	MK Air damper						E	01
21	303718	EF Blanking plate		A			D		01
21	303718	79 Blanking plate			B				01
21	303718	77 Blanking plate				C			01
21	303718	MK Blanking plate						E	01
22	303860	EF Flue collar		A			D		01
22	303860	79 Flue collar			B				01
22	303860	77 Flue collar				C			01
22	303860	MK Flue collar						E	01
23	305014	Wall		A	B	C	D	E	01
24	305213	Wall		A	B	C	D	E	01
25	306276	EF Back wall		A	B	C	D	E	01
26	307434	EF Fuel retainer		A	B	C	D	E	01
27	309228	Grate		A	B	C	D	E	01
28	309891	EF Front plate		A			D		01
28	309891	79 Front plate			B				01
28	309891	77 Front plate				C			01
28	309891	MK Front plate						E	01
29	310727	EF R. side panel		A			D		01
29	310727	79 R. side panel			B				01
29	310727	77 R. side panel				C			01
29	310727	MK R. side panel						E	01
30	310824	EF L. side panel		A			D		01
30	310824	79 L. side panel			B				01
30	310824	77 L. side panel				C			01

A = 134 08 03 Y ; B = 134 08 03 J ; C = 134 08 03 L ; D = 134 08 03 D ; E = 134 08 03 C

N°	Code	Description	Type	A	B	C	D	E	Qty	
30	310824	MK	L. side panel					E	01	
31	315607		Air duct	A	B	C	D	E	01	
32	325304		Reducing plate	A	B	C	D	E	02	
33	327903	EF	Ash pan panel	A			D		01	
33	327903	79	Ash pan panel		B				01	
33	327903	77	Ash pan panel			C			01	
33	327903	MK	Ash pan panel					E	01	
34	331104	EF	Main door	A					01	
34	331104	79	Main door		B				01	
34	331104	77	Main door			C			01	
34	331104	66	Main door				D		01	
34	331104	MK	Main door					E	01	
35	352150	EF	Top plate	A			D		01	
35	352150	79	Top plate		B				01	
35	352150	77	Top plate			C			01	
35	352150	MK	Top plate					E	01	
36	406816		Clamp	A	B	C	D	E	01	
37	624042		Ash-pan	A	B	C	D	E	01	
38	162545		Descriptive plate	A					01	
38	162544		Descriptive plate		B	C	D	E	01	
39	415504	60	Poker	A	B	C	D	E	01	
40	101045		Axle	A	B	C	D	E	01	
41	134711		Pin	A	B	C	D	E	01	
42	134749		Pin	A	B	C	D	E	01	
43	262010		Door heat shield	A	B	C	D	E	01	
44	300991	EF	Door lock	A			D		01	
44	300991	79	Door lock		B				01	
44	300991	77	Door lock			C			01	
44	300991	MK	Door lock					E	01	
45	303514	EF	Door	A			D		01	
45	303514	79	Door		B				01	
45	303514	77	Door			C			01	
45	303514	MK	Door					E	01	
46	105006		Ceramic rope	Ø 15	A	B	C	D	E	1,60 m
47	134107		Glove	A	B	C	D	E	01	
48	181622		Ceramic rope	Ø 8	A	B	C	D	E	0,90 m
49	300127	EF	Leg (option)	(140 mm)	A		D		04	
50	262607		Heat shield	A	B	C	D	E	01	
51	988867		Complete door	A					01	
51	988878		Complete door		B				01	
51	988879		Complete door			C			01	
51	988890		Complete door				D		01	
51	988917		Complete door					E	01	
52	142881		Rope	A	B	C	D	E	04	
53	161027		Touch-up paint		B				01	
53	161025		Touch-up paint			C			01	
53	161059		Touch-up paint					E	01	

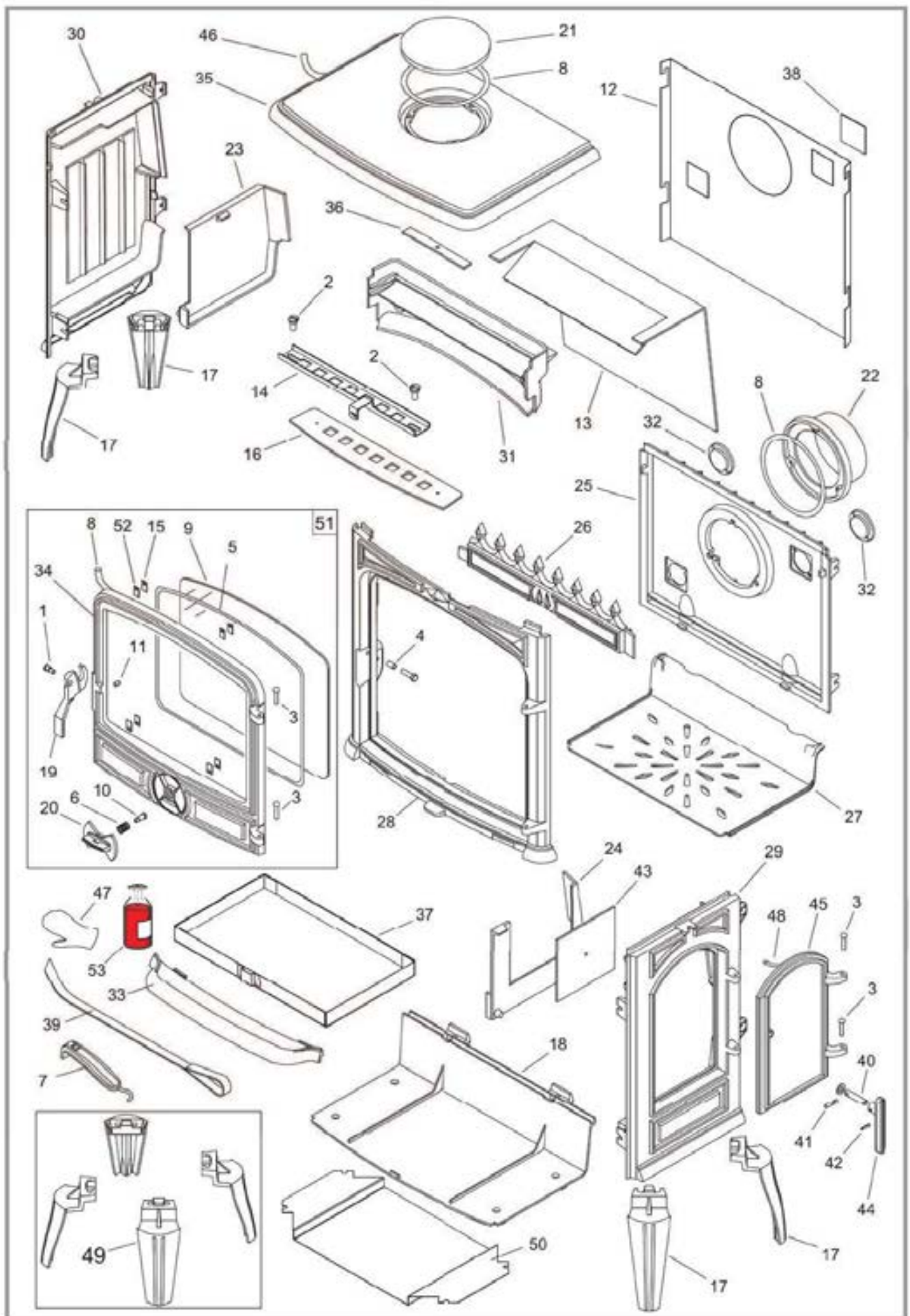


Figure 10 - Spare parts view

Guarantee certificate

Legal guarantee

The specifications, dimensions and information shown on our documents are provided for information purposes only and under no circumstances are binding upon the vendor.

With the aim of constantly improving our equipment, all modifications considered as necessary by our departments may be made without notice.

The provisions of the present guarantee certificate are not excluding or limiting the owner of the equipment's rights, concerning the legal guarantee regarding faults or hidden vices which applies in all circumstances, in the conditions detailed in articles 1641 and following of the civil code and in the country in which the equipment was purchased.

Contractual guarantee

Our equipment is guaranteed against faults and hidden vices subject to the following conditions :

- 1) Installation and adjustment of the device by a professional installer.
- 2) Observance of the instructions provided in our technical documents and our installation/adjustment instructions.
- 3) The installation, use and maintenance of the device carried out in conformity with the applicable standards and legislation, and with the indications provided in the technical instructions accompanying the device.

This guarantee covers the replacement, in our factory, of parts recognised as being defective from the outset by our "Guarantee Inspection Department". Carriage and

labour is at the user's cost. Moreover, if the repair or replacement of parts covered by the guarantee is found to be too costly vis-à-vis the price of the appliance, the decision to replace or repair the appliance will be taken by the vendor.

Our guarantee is for 2 (two) years for all appliances, with the exception of closed combustion fireplace and inserts for which our guarantee is 5 (five) years excluding the following :

- 1) Indicator lights, fuses, electrical elements and fans.
- 2) Parts subject to wear or in contact with high temperatures namely : soles and burner grills, bottom plates baffles, ash pans, paintwork and surface treatments for decorative parts. Also excluded from this guarantee are seals and windows.
- 3) Any damage which may result from the use of the appliance with a fuel other than that stipulated in our instructions.
- 4) Damage occurring to parts caused by elements outside the appliance (down draught, storm damage, damp, abnormal pressure or vacuum, heat shocks, etc...).
- 5) Damage to electrical parts caused by plugging in and using the appliance on a mains system, the voltage of which (measured at the entrance to the appliance) is 10% above or below the nominal voltage of 220 V.

Exclusion of liability

In the case of a product manufactured at the client's request, under no circumstances may we, as a subcontractor, be considered liable vis-a-vis the client or third parties for defects arising from the installation or a design fault with the item in question.

✉ Name and address of the installer : _____

☎ Telephone : _____

✉ Name and address of the customer : _____

Date of installation : ____ / ____ / ____

Model of the appliance : 134 08 03

Color : Y J L D C

Serial number : _____

• This certificate has to be completed and kept carefully.

In case of claims, send a copy of this to :

FRANCO BELGE ♦♦

"La chaleur en votre confiance"

127^{ème} RIF,15
BE 5660 MARIEMBOURG