

SAVOY Classic

Multifuel stove

Model : 134 08 05

DIN EN 13240 : 2005-10

Net output : 7,7 kW (Wood)

Net output : 6,4 kW (Smokeless fuels)



Description of the appliance

Installation instructions

Operating instructions

Spare parts

Warranty certificate

Document n° 986-12 ~ 05/08/2012

Technical manual
to be saved
by the user
for future reference

é

FRANCO BELGE ♦♦

"La chaleur en toute confiance"

127^{ième} RIF,15
BE 5660 MARIEMBOURG

Subject to modifications

FRANCO BELGE congratulates you on your choice.
FRANCO BELGE, guarantees the quality of its appliances and is committed to meet its customers' needs.
FRANCO BELGE, which can boast a 80-year experience in the industry of heating devices, uses state-of-the-art technologies to design and manufacture its whole range of products.
This document contains instructions on how to install your appliance and make full use of its functions, both for your comfort and safety.

CONTENTS

Product information	p. 3
Package	p. 3
General characteristics	p. 3
Description	p. 3
Principle of operation	p. 3
Installation instructions	p. 4
Warning to the user	p. 4
Location of the unit	p. 4
Chimney	p. 4
Assembly of flue collar	p. 5
Chimney connector	p. 5
Mounting the tray	p. 6
Pre-utilisation check	p. 6
Door closing pressure	p. 6
Maintenance of the Chimney	p. 7
Instructions for user	p. 8
Fuel	p. 8
Instruction for use with wood	p. 9
Instructions for use with solid fuel	p. 9
Cleaning	p. 9
Maintenance of the Chimney	p. 9
Maintenance of the stove body	p. 9
Recommendations	p. 9
Trouble Shooting	p. 10
Spare parts	p. 11

This appliance is meant to burn wood and smokeless fuels safely

WARNING

Incorrectly installed, this appliance can be dangerous and possibly cause serious accidents.

We recommend that you engage the services of a professional engineer for its installation and the regular maintenance requirements.

1. Product information

1.1. Package

- 1 package : Stove complete.

1.2. General characteristics

Reference	134 08 05
---------------------	-----------

FUEL : WOOD	
Chimney draught required Pa	12
Volume heated m ³	280
Usable firebox dimensions	
- width mm	450
- depth mm	240
- height mm	365
Log dimensions	
- Length maxi cm	40
Ash pan capacity litres	3
Net weight kg	100
Flue gas temperature °C	341
Nominal output kW	7,7
Efficiency %	72,6
Co (13% O ₂) %	0,42
Flue gas mass flow g/s	7
Fuel rate kg/h	2,4
Refuelling interval mn	102

FUEL : ANTHRACITE (SMOKELESS FUELS)	
Tested with fuel brand name “phurnacite” entering in category A, table B2 frm the standard EN 13240.	
Nominal heat output KW	6,4
Chimney draught required Pa	18
Flue gas temperature °C	165
Efficiency %	73
Co (13% O ₂) %	0,5
Fuel rate kg/h	0,8
Refuelling interval mn	132

1.3. Description

- Multifuel stove in conformity with DIN EN 13240 : 2005-10
- Intermittent-burning heating appliance wood and smokeless fuels.
- Fuel burnt on grate
- Enclosed combustion chamber with refractory brick walls.
- Removable appliance, to be installed near a wall.
- Detachable flue spigot for rear or top chimney connection.
- Detachable top for easy handling and cleaning (rear smoke exit only).
- Adjustable air controls for controlling the burning rate.
- Spin wheel for lighting.
- Large ash-pan.

1.4. Principle of operation

The appliance is designed for operation with the door closed.

Heat is mainly diffused by radiation, through the window and body of the appliance.

Combustion occurs on the grate, with draught entry through the top of the combustion chamber when using wood and under the grate when using smokeless fuels.

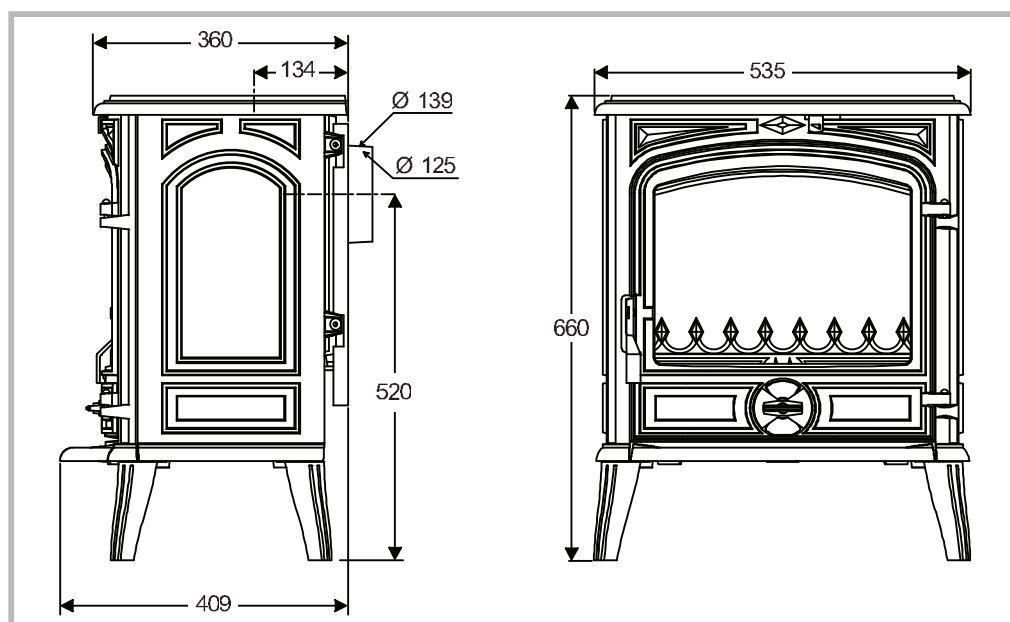


Figure 1 - Dimensions in mm

2. Installation instructions

2.1. Warning to the user

All the local and national regulations, and in particular those relating to national and European standards, must be observed when installing the appliance.

An incorrectly installed heating appliance can cause serious accidents (chimney fires, burning of plastic insulation materials, in partition walls, etc.).

The insulation of both the appliance and the exhaust gas pipe has to be reinforced and done according to the Standards and the Building Regulations for safety reasons.

Failure to respect the mounting instructions leads to engage the responsibility of the one doing the installation.

The manufacturer’s responsibility shall be limited to the supply of the equipment.

2.2. Location of the unit

Ventilation :

For satisfactory appliance operation with a natural draught, check that sufficient air for combustion is available in the room.

Position of the unit :

For new installations, select a central position within the house, to provide a good heat distribution around the building.

The heat distribution towards the other rooms will be made through the communicating doors.

These rooms must be in negative pressure or must include ventilation gratings.

Floor and walls :

Make sure they are not combustible or covered with combustible material (as per the Building regulations). Otherwise it must necessary to install a non-combustible protection.

There must be a clearance of at least 150 mm at each side of the appliance and at the back of the appliance from a non-combustible wall.

This distance must be extended to a minimum clearance of 350 mm from any combustible materials.

This measurement may be reduced to a minimum gap of 50 mm when the non-combustible wall is at least 200 mm thick.

When using a single wall flue pipe, there must be a clearance (A) of at least three times its diameter (B) from any combustible materials.

If the appliance has to be located in an opening, this distance must be extended to a minimum clearance (A) of 375 mm from the pipe or the stove body to any combustible materials.

Hearth :

The appliance must stand on a fireproof hearth.

It is possible to provide a hearth made of non combustible board/sheet material or tiles at least 12 mm thick.

Constructional hearths should be constructed of solid non combustible material at least 125 mm thick (including the thickness of any non combustible floor under the hearth).

The hearth must protrude at least 225 mm in front of the stove and 150 mm each side.

If the hearth is constructed on timber, there must be a clearance of at least 250 mm from the timber to the top surface of the hearth.

See section J of the Building regulations.

2.3. Chimney

The chimney must comply with Current Building Regulations. If in doubt, consult your Dealer or local Building Inspector.

Existing flue :

- The flue must be suitable for the installation of fuel burning appliances, otherwise it must necessary to install a tubing
- The flue must be in good condition and must provide sufficient draught (refer to technical details p. 3).
- The flue must be clean. It should be swept to remove soot and dislodge tar deposits.
- The flue must be well insulated. If the flue inner wall surfaces are cold, a good thermal draw is impossible causing condensation problems (tar formation etc.) to occur.
- The flue must be watertight.
- The chimney must have a constant cross section.
- The flue must not be shared with other appliances.
- The chimney must be at least 4.5 m (15 ft high).
- In case of a flat roof or when the roof gradient is lower than 15°, the stack must be 1,2 m (4 feet) high at least.
- The capping must not restrain the draught.

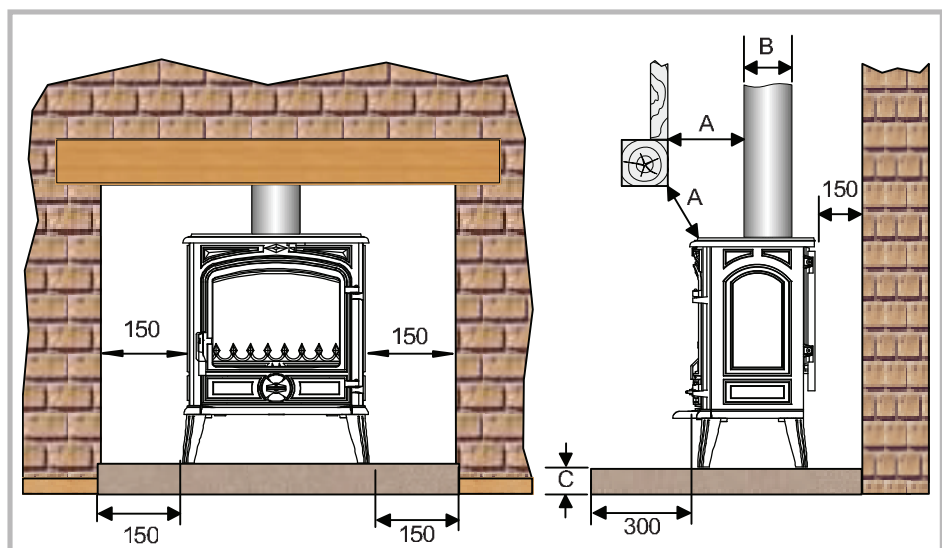


Figure 2 - Clearances

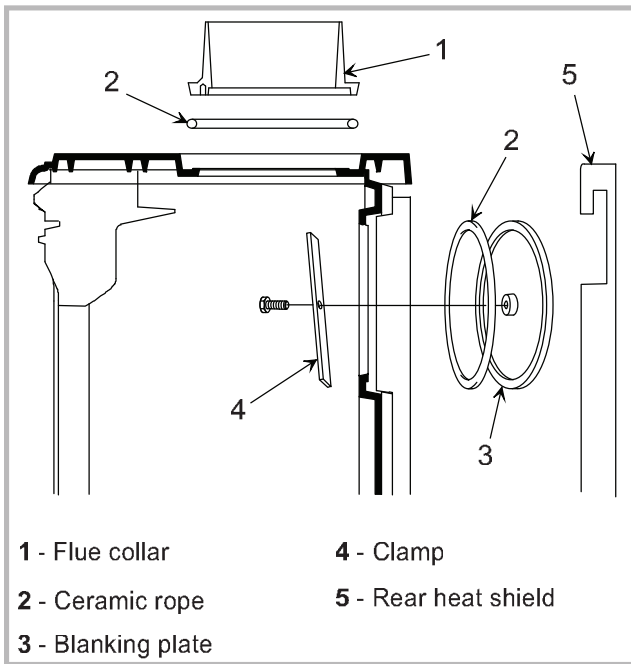


Figure 3 - Flue outlet on the top

- If the chimney has any down draught tendency, due to its position in relation to nearby obstacles, then an anti-down draught cowl must be installed on the chimney or the chimney height must be increased.
- If the chimney draught is excessive or irregular, a draught stabiliser (barometric damper) must be installed to the connector pipe.

Chimney to be built / New flue:

The chimney must comply with Current Building Regulations. If in doubt, consult your Dealer or local Building Inspector.

- The flue must not be supported by the stove.
- Consult a chimney specialist for advice on suitable flue systems for solid fuel appliances.
- It must be distant from any combustible material (walls, cross members)
- It must permit an easy sweeping.

2.4. Assembly of flue collar

The stove is supplied with a connection flue collar with an inner diameter of 125 mm and an outer diameter of 139 mm.

2.4.1. Flue outlet on the top

Figure 3

- Remove the flue baffle (fig. 9, p. 7)
- Fit the sealing rope 2 in the groove on the top and fix the flue collar 1 with 3 bolts and washers supplied.
- Replace the flue baffle

2.4.2. Flue outlet at rear

Figure 4

- Remove the retainer fuel (fig. 8, p. 7), the two side bricks and the flue baffle (fig. 9, p. 7).
- Remove the rear heat shield and remove the cut-out on it.
- Remove the blanking plate 3 and the clamp 4 and refit in the top, ensuring there is a good seal.
- Fix the flue collar 1 at rear with the bolts and washers supplied, ensuring there is a good seal.
- Replace all the internal parts in the reverse order.
- Replace the rear heat shield.

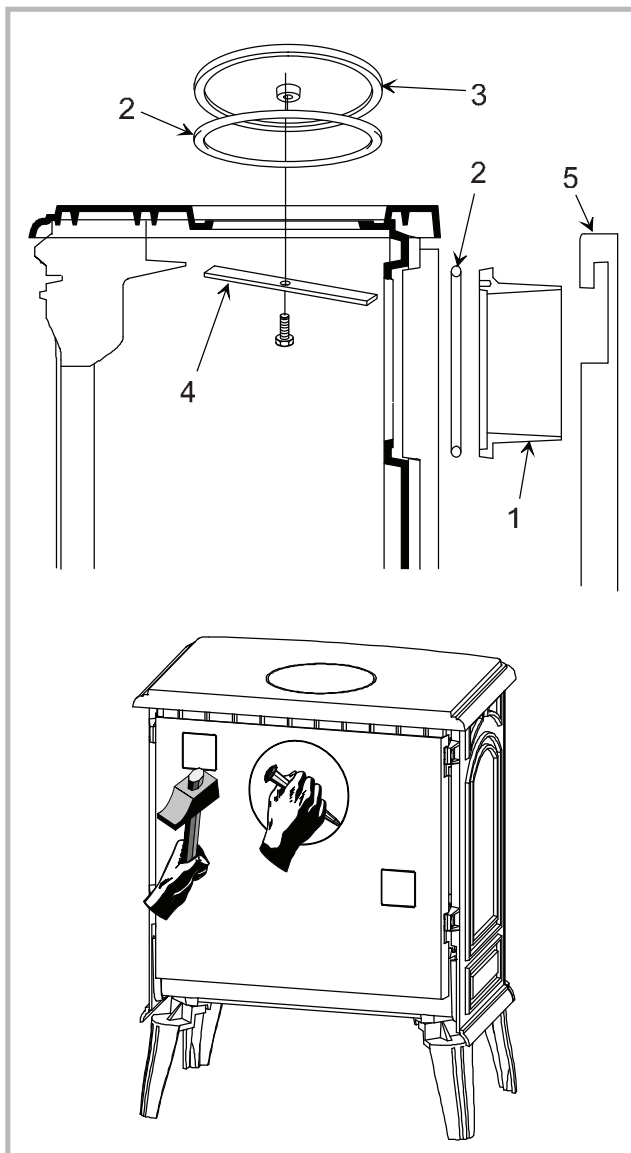


Figure 4 - Rear flue outlet

2.5. Chimney connector

- The appliance must be installed as close as possible to the chimney.
- The connector pipe must be approved for installation with combustion products (e.g. 316 grade 1 mm thick stainless steel or vitreous enamelled steel).
- Pipe diameter must not be less than the appliance spigot diameter.
- If there is no other solution, the reduction can not be more than one diameter lower than the flue spigot and be situated as distant as possible from the flue connection of the appliance.
- The connection can be either vertical or horizontal. For horizontal connections, avoid right angle bends.
- The joint between the connection pipe and the stovepipe, and the flue, must be leak tight.

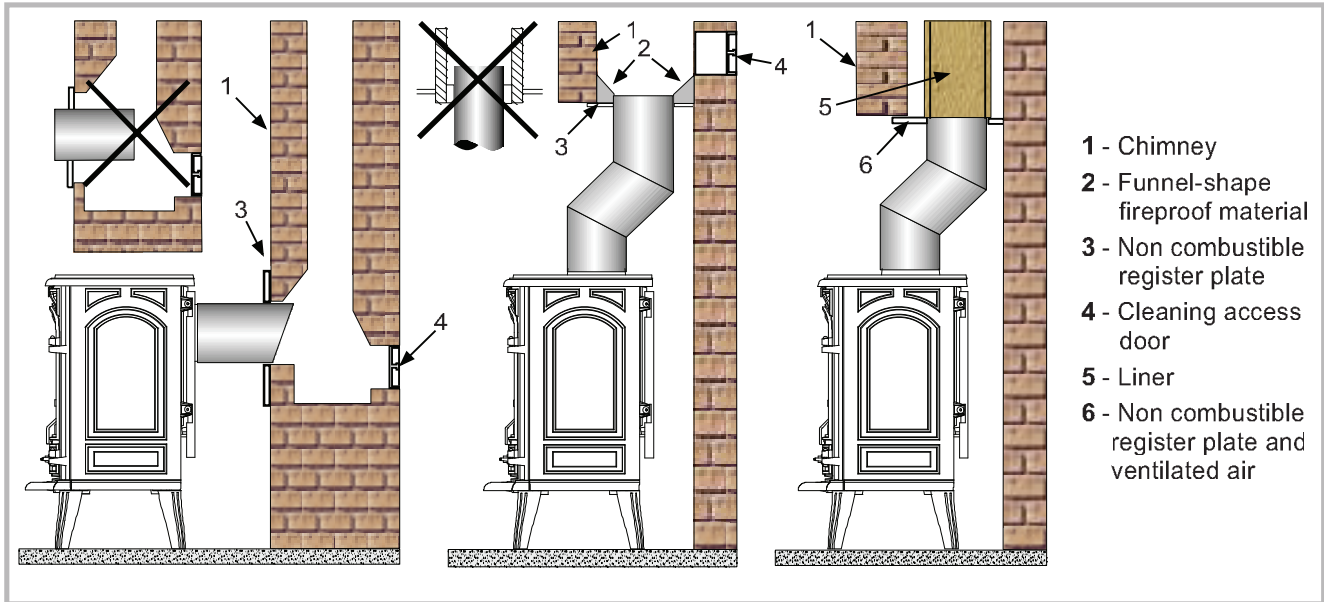


Figure 5 - Chimney connections

- The connection pipe and any draught stabiliser must have access for cleaning.
- The spigot should be connected to a minimum of 125 mm flue system and in that case the appliance is capable of burning untreated wood and recommended solid fuels.

2.6. Mounting the tray

Figure 6

To avoid damage during transport, the tray has been stored behind the main door. Fix the tray on the appliance.

- Centre on tab “A” and lower into place.

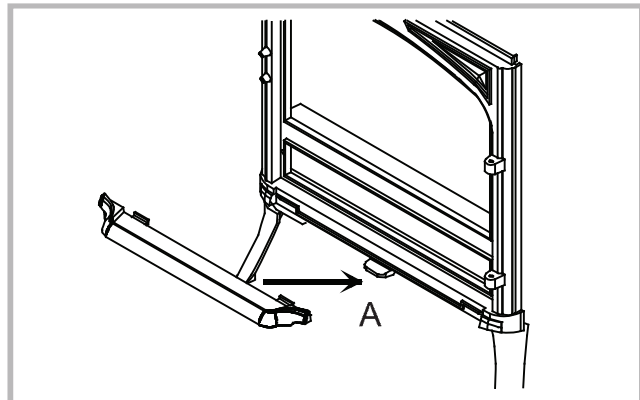


Figure 6 - Mounting the tray

2.7. Pre-utilisation check

- Check that the glass is not damaged.
- Check that the smoke passages are not obstructed by packaging or removable parts.
- Check that the seals of the smoke-line are in good condition.
- Check that the doors close correctly.
- Check that all removable parts are correctly installed. (side walls, flue baffle, grates, etc.)

Note : if it acts of a ceramics braid, it is consumable and thus brought to be changed by the user

2.8. Door closing pressure

Figure 7 : The closing latch rotates around a pressure screw positioned cam.

- Remove gently the ceramics rope
- Loosen pressure screw 1.
- Turn cam 2 to desired position.
- Tighten pressure screw 1.

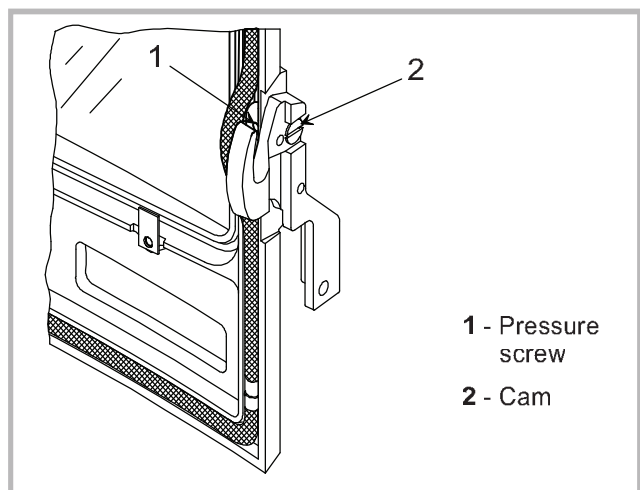


Figure 7 - Door closing pressure

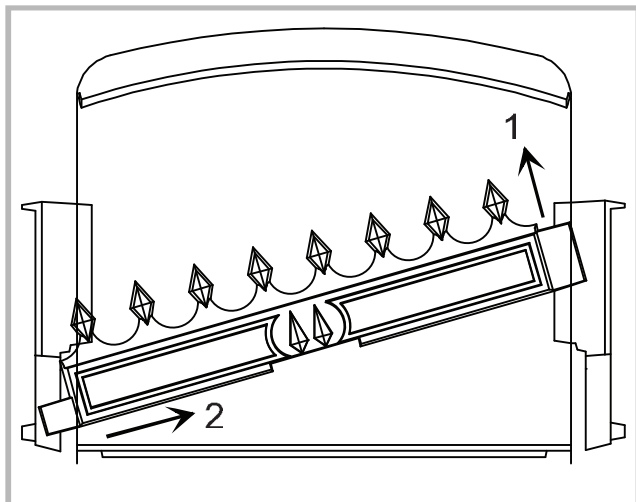


Figure 8 - Removing the fuel retainer

2.9. Maintenance of the Chimney

Very important : To avoid accidents (chimney fire, etc.), regular maintenance should be carried out. If the stove is regularly used, the chimney should be swept several times per year, together with the stovepipe connection section.

First remove the retainer grate (fig. 8 & A fig. 9), the two side walls (B, fig. 9) and the flue baffle (C fig. 9)

Refit the parts in the reverse order.

DO NOT OPEN THE DOOR OF THE APPLIANCE (OR AIR INLET) UNDER ANY CIRCUMSTANCES.

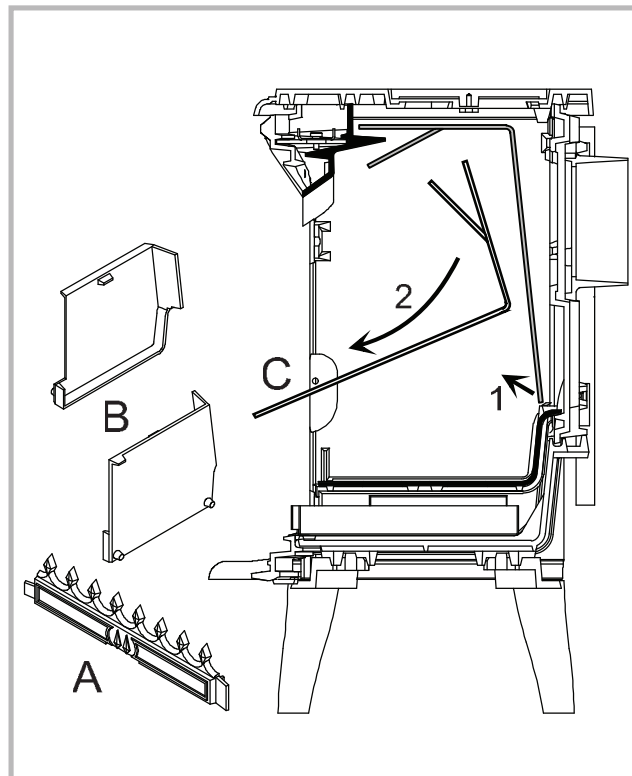


Figure 9 - Removing the flue baffle

Chimney condition should be checked at least once per year by a professional engineer.

3. Instructions for user

The manufacturer will not be responsible for damages on parts of the appliance due to the use of prohibited fuel or due to an alteration of the appliance or its installation. **Only use replacement parts supplied by the manufacturer.**

Don't run the stove in mild weather with smokeless fuels : Under certain circumstances (e.g. fog and repeated thaw) the chimney will not draw sufficiently well and thus be at the origin of asphyxia.

Awaiting better weather circumstances, don't use any coal but only wood.

At the first lighting, the fire must be progressively increased to allow the various parts to expand normally and to dry up.

Note : When the fire is lit for the first time, the stove may give off fumes from the new paint. This is normal but ensure the room is well ventilated during the first few hours of operation.

Warning : properly installed and operated this appliance will not emit fumes into the dwelling. Occasional fumes from de-ashing and re-fuelling may occur. Persistent fume emission is dangerous and must not be tolerated. If fume emission does persist :

Open doors and windows to ventilate room.

Let the fire out and dispose of fuel from the appliance.

Check for flue or chimney blockage, and clean if required.

Do not attempt to relight the fire until the cause of the fume emission has been identified and corrected. If necessary seek expert advice.

Note : It is recommended to use a fireguard in the presence of children, and also in the presence of old and/or infirm people.

3.1. Fuel

This appliance is not an incinerator.

Use hard wood logs, which have been cut for at least two years and stored, under a ventilated shelter.

Use hardwood that have a higher calorific value per cu metre (Yoke-elm, oak, ash, maple, birch, elm, beech, etc.). Large logs must be split and cut to an useful length, before being stored in a sheltered and ventilated place.

• **Recommended fuel :** The best fuels for use with the Franco Belge “Savoy” are :

Seasoned wood. - hard wood logs that have been cut, split and stored for at least two years with a minimum moisture content of 20 % e.g. oak, beech, elm etc.

Anthracite – dry steam coal fuels as described in type A – table B2 of the Standard – smokeless fuels along with coalite and anthracite.

• **Prohibited fuel :** we do not recommend the use of Homefire on your stove due to the number of glass panels which have been effected by this fuel.

Any form of housecoal (bituminous coal) or petroleum based fuels.

We do not recommend that unseasoned wood (green wood) is used due to it's high levels of moisture which will produce tar and in turn can cause the insides of the stove and the lining of the chimney to become coated which in turn could lead to a chimney fire.

We do not recommend recovered wood e.g railway sleepers, chipboard, pallets are burned as these have been treated and will product a great deal of pollution to the environment and will overheat the appliance.

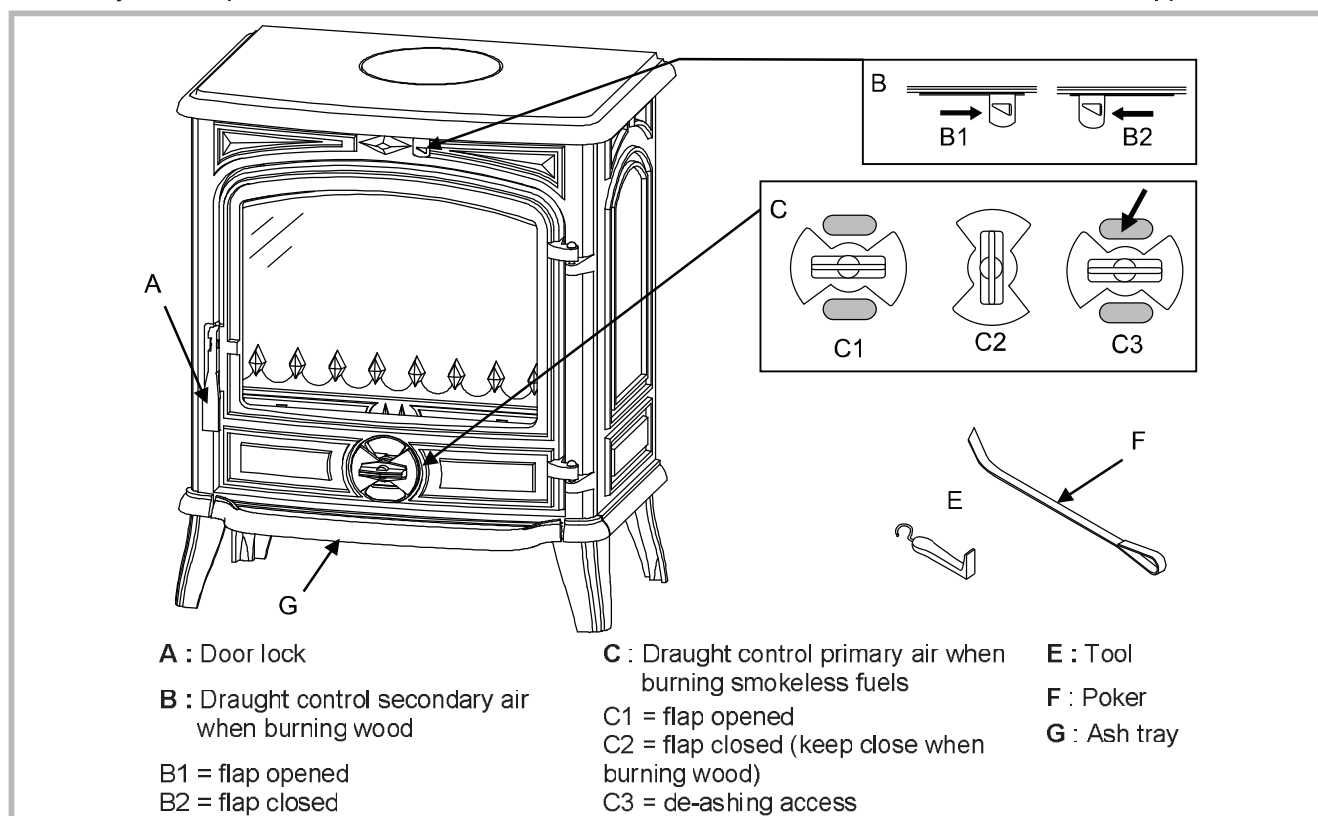


Figure 10 - Operating devices

3.2. Instruction for use with wood

3.2.1. Lighting

Figure 10

- Slide the top air control (# B1) and the lower air control (# C1) to the right.
- Open the front door and lay firelighters or rolled up newspapers on the grate with a reasonable quantity, if necessary, of dry kindling wood. Place 2 or 3 small logs on top.
- Light the newspaper or firelighters using a long taper and close the front door.
- When the fire is burning fiercely, add further logs of a diameter up to 10 cms.
- When the stove body is very hot, close the lower air control (# C2).
- The burning rate can now be adjusted by moving the top air control to the left (# B1).

Experience will show you which settings are best for your situation.

3.2.2. Re-fuelling

It is advisable to wait for the fire to be reduced to hot embers before re-loading. The door should also be opened slowly when re-loading.

- The nominal output is with B and C opened at 1/5.

3.3. Instructions for use with solid fuel

3.3.1. Lighting

Figure 10

- Close the top air control by sliding it to the left (# B2)
- Open the lower air control (# C1).
- Open the front door and lay firelighters or rolled up newspapers on the grate with a reasonable quantity, if necessary, of dry kindling wood. Place a small quantity of solid fuel on top.
- Light the newspaper or firelighters using a long taper and close the door.
- When the fire is burning fiercely, add further fuel.
- When the stove body is hot, adjust the burning rate with the lower air control (# C)
- Experience will show you which settings are best for your situation.

3.3.2. Re-fuelling

- Open the lower air control (# C1)
- Open the front door and add fuel.
- Leave the lower air control open for a few minutes to allow the initial volatiles in the fuel to burn.
- Adjust the lower air control to the desired position (# C).

The nominal output is reached with C open at 100 % and B totally closed.

3.4. Cleaning

It is essential to keep the grate free from a heavy build up of ashes.

REMEMBER TO BURN SOLID FUEL CORRECTLY, AIR SHOULD BE ALLOWED TO FLOW FROM THE ASH PIT AREA THROUGH THE GRATE AND THROUGH THE FUEL. IF THE GRATE OR ASH PAN ARE CONGESTED, THE PERFORMANCE WILL BE EFFECTED.

If burning solid fuel, always empty the ash pan at least once a day or whenever it is full of ashes. Never allow the ashpan to overfill allowing ash to be in contact with the underside of the grate. If this condition is allowed, the grate will wear out pre-maturely.

3.5. Maintenance of the Chimney

Very important : In order to avoid any incident (chimney fire, etc...), maintenance tasks must be carried out regularly.

If the appliance is regularly used, the chimney should be swept several times per year, together with the stovepipe connection section.

If the chimney catches fire, you must cut off the flue draught, close the doors and windows, hatches and keys and call the Fire Brigade without delay.

DO NOT OPEN THE DOOR OF THE APPLIANCE (OR AIR INLET) UNDER ANY CIRCUMSTANCES.

Chimney condition should be checked at least once per year by a professional engineer.

3.6. Maintenance of the stove body

- The stove must be regularly cleaned.
- Remove all deposits from the combustion chamber and clean the grate area.
- The vitro ceramic glass can only be cleaned using a soft cloth and stove glass cleaner, available from your Franco Belge Dealer.

DO NOT USE ABRASIVES

- The vitro ceramic glass resists a temperature of 750°C. If the glass should be broken, it is recommended that only an original factory replacement should be fitted.
- For enamelled finishes, the stove body can be cleaned using a soft cloth either dry, or slightly damp with a very mild detergent.

NEVER CLEAN ENAMEL SURFACES WHILST THE STOVE IS HOT.

The cast iron body panels of non-enamelled stoves can be cleaned with a proprietary stove cleaner or re-sprayed / touched up using a stove paint. These products are available from your Franco Belge Dealer.

3.7. Recommendations

This room heater is a high heat producing appliance and may cause severe burns if touched on the glass front door, or on top directly over the burner.

The stove may still be **HOT** even when fire has burnt out.

keep children away

3.8. Trouble Shooting



: This sign means that you should asked for a qualified engineer to do the work.

<i>Problem</i>	Probable causes	- Action
<i>Fire difficult to start Fire goes out</i>	Wood green, too damp or poor quality.	- Use the recommended fuel.
	Logs are too big.	- To light the fire, use small, very dry twigs. To maintain the fire, use split logs.
	Air starvation.	- Open lower Air control and top air control lever.
	Insufficient draught. <input checked="" type="checkbox"/>	- Check that the flue is not obstructed, sweep it if necessary - Seek advice from a chimney specialist.
<i>Fire burns too quickly.</i>	Too much draught.	- Ensure that the lower Air control is closed (with wood burning) - Partially close the top air control lever.
	Excessive draught. <input checked="" type="checkbox"/>	- Install a draught stabiliser. Consult your Dealer.
	Poor quality wood.	- Do not continuously burn small wood, sticks, bundles, carpentry offcuts (plywood, pallets), etc.
<i>Smokes when lighting up.</i>	Flue duct is cold.	- Burn paper and kindling wood to increase heat.
	Room is in decompression.	- In houses equipped with mechanical ventilation, partly open a window until the fire is well established.
<i>Smokes while burning.</i>	Draught is insufficient. <input checked="" type="checkbox"/>	- Consult a chimney specialist. - Check that the flue is not obstructed, sweep if necessary.
	Down draught. <input checked="" type="checkbox"/>	- Install an anti-down draught cowl. Consult your Dealer.
	Room is in decompression. <input checked="" type="checkbox"/>	- In houses equipped with Mechanical Ventilation, an outside air intake must be installed for the chimney.
<i>Low heat output.</i>	Incorrect Fuels.	- Use the recommended fuel.

4. Spare parts

When ordering spare parts, specify **the stove type** and **serial number**, including the **colour** index (on the guarantee or identification plate), the **name** of the part and the **part number**.

Example : Multifuel stove, ref. **134 08 05**, colour ref. : **Y**, top plate **352150 EF**.

A = 134 08 05 **Y** **B** = 134 08 05 **I** **C** = 134 08 05 **P** **D** = 134 08 05 **C** **E** = 134 08 05 **E**

N°	Code	Description.	Type	A	B	C	D	E	Qty
1	100917	Cam pin.	12x20 M7	A	B	C	D	E	01
2	100939	Axle.		A	B	C	D	E	02
3	110404	Hinge pin	6x30	A	B	C	D	E	02
4	134253	Bushing.		A	B	C	D	E	01
5	181632	Adhesive rope		A	B	C	D	E	1,30 m
6	166003	Spring.	11x15	A	B	C	D	E	01
7	808001 ED	Hand tool.		A	B	C	D	E	01
8	181607	Ceramic rope	Ø 9,5	A	B	C	D	E	2,50 m
9	188812	Ceramic glass	379x293x4	A	B	C	D	E	01
10	189103	Screw	27x8x6	A	B	C	D	E	01
11	189825	Screw	HC M5x6	A	B	C	D	E	01
12	205362	Back panel		A	B	C	D	E	01
13	222556	Flue baffle		A	B	C	D	E	01
14	237411 60	Reducing plate		A	B	C	D	E	01
15	259015	Fixing plate		A	B	C	D	E	04
16	270408	Air control flap		A	B	C	D	E	01
17	300127 EF	Leg		A					04
17	300128 MP	Leg			B				04
17	300128 RH	Leg				C			04
17	300128 MK	Leg					D		04
17	300128 RP	Leg.						E	04
18	300481 EF	Base		A	B	C	D	E	01
19	301526 EF	Door lock		A					01
19	301526 MP	Door lock			B				01
19	301526 RH	Door lock.				C			01
19	301526 MK	Door lock					D		01
19	301526 RP	Door lock						E	01
20	301742 EF	Air damper		A					01
20	301742 MP	Air damper			B				01
20	301742 RH	Air damper.				C			01
20	301742 MK	Air damper					D		01
20	301742 RP	Air damper.						E	01
21	303718 EF	Blanking plate		A					01
21	303718 MP	Blanking plate.			B				01
21	303718 RH	Blanking plate				C			01
21	303718 MK	Blanking plate					D		01
21	303718 RP	Blanking plate.						E	01
22	303860 EF	Flue collar		A					01
22	303860 MP	Flue collar			B				01
22	303860 RH	Flue collar				C			01
22	303860 MK	Flue collar					D		01
22	303860 RP	Flue collar						E	01
23	305014	Wall.		A	B	C	D	E	01
24	305212	Wall.		A	B	C	D	E	01
25	306276 EF	Back wall		A	B	C	D	E	01
26	307434 EF	Fuel retainer		A	B	C	D	E	01
27	308711	Coal grate		A	B	C	D	E	01
28	309891 EF	Front plate		A					01
28	309891 MP	Front plate.			B				01

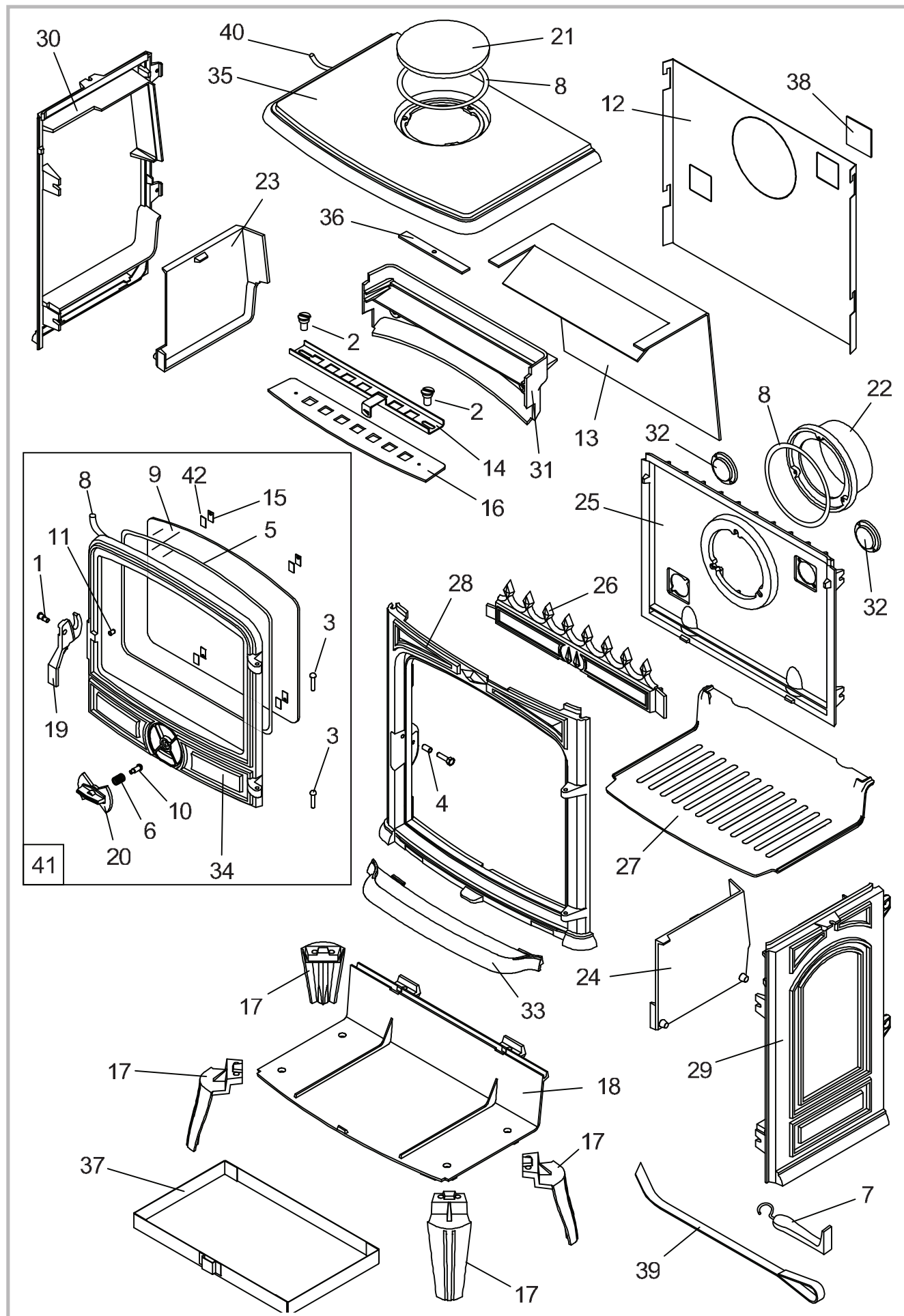


Figure 11 - Stove - exploded view

N°	Code	Description.	Type	A	B	C	D	E	Qty	
28	309891	RH	Front plate			C			01	
28	309891	MK	Front plate				D		01	
28	309891	RP	Front plate					E	01	
29	310726	EF	R. side panel	A					01	
29	310726	MP	R. side panel		B				01	
29	310726	RH	R. side panel			C			01	
29	310726	MK	R. side panel				D		01	
29	310726	RP	R. side panel					E	01	
30	310824	EF	L. side panel	A					01	
30	310824	MP	L. side panel		B				01	
30	310824	RH	L. side panel			C			01	
30	310824	MK	L. side panel				D		01	
30	310824	RP	L. side panel					E	01	
31	315607		Air duct	A	B	C	D	E	01	
32	325304		Reducing plate	A	B	C	D	E	02	
33	327903	EF	Ash-tray	A					01	
33	327903	MP	Ash-tray		B				01	
33	327903	RH	Ash-tray			C			01	
33	327903	MK	Ash-tray				D		01	
33	327903	RP	Ash-tray					E	01	
34	331104	EF	Main door	A					01	
34	331104	MP	Main door		B				01	
34	331104	RH	Main door			C			01	
34	331104	MK	Main door				D		01	
34	331104	RP	Main door					E	01	
35	352150	EF	Top plate	A					01	
35	352150	MP	Top plate		B				01	
35	352150	RH	Top plate			C			01	
35	352150	MK	Top plate				D		01	
35	352150	RP	Top plate					E	01	
36	406816		Clamp	A	B	C	D	E	01	
37	624042		Ash-pan	A	B	C	D	E	01	
38	162573		Descriptive plate	A	B	C	D	E	01	
39	415504	60	Poker	A	B	C	D	E	01	
40	105006		Ceramic rope	Ø 15	A	B	C	D	E	1,60 m
41	988867		Complete main door	A					01	
41	988868		Complete main door		B				01	
41	988916		Complete main door			C			01	
41	988917		Complete main door				D		01	
41	988918		Complete main door					E	01	
42	142881		Joint	A	B	C	D	E	04	

FRANCO BELGE

Guarantee certificate

Legal guarantee

The specifications, dimensions and information shown on our documents are provided for information purposes only and under no circumstances are binding upon the vendor.

With the aim of constantly improving our equipment, all modifications considered as necessary by our departments may be made without notice.

The provisions of the present guarantee certificate are not excluding or limiting the owner of the equipment's rights, concerning the legal guarantee regarding faults or hidden vices which applies in all circumstances, in the conditions detailed in articles 1641 and following of the civil code, and in the country in which the equipment was purchased.

Contractual guarantee

Our equipment is guaranteed against faults and hidden vices subject to the following conditions:

- 1) Installation and adjustment of the device by a professional installer.
- 2) Observance of the instructions provided in our technical documents and our installation/adjustment instructions.
- 3) The installation, use and maintenance of the device carried out in conformity with the applicable standards and legislation, and with the indications provided in the technical instructions accompanying the device.

This guarantee covers the replacement, in our factory, of parts recognised as being defective from the outset by our "Guarantee Inspection" Department. Carriage and

labour is at the user's cost. Moreover, if the repair or replacement of parts covered by the guarantee is found to be too costly vis-à-vis the price of the appliance, the decision to replace or repair the appliance will be taken by the vendor.

Our guarantee is for 2 (two) years for all appliances, with the exception of closed combustion fireplace and inserts for which our guarantee is 5 (five) years excluding the following:

- 1) Indicator lights, fuses, electrical elements and fans.
- 2) Parts subject to wear or in contact with high temperatures namely: soles and burner grates, bottom plates baffles, ash pans, paintwork and surface treatments for decorative parts. Also excluded from this guarantee are seals and glass.
- 3) Any damage which may result from the use of the appliance with a fuel other than that stipulated in our instructions.
- 4) Damage occurring to parts caused by elements outside the appliance (down draught, storm damage, damp, abnormal pressure or vacuum, heat shocks, etc.).
- 5) Damage to electrical parts caused by plugging in and using the appliance on a mains system, the voltage of which (measured at the entrance to the appliance) is 10% above or below the nominal voltage of 220 V.

Exclusion of liability

In the case of a product manufactured at the client's request, under no circumstances may we, as a subcontractor, be considered liable vis-a-vis the client or third parties for defects arising from the installation or a design fault with the item in question.

Name and address of the installer : _____

Telephone : _____

Name and address of the customer : _____

Date of installation : ____ / ____ / ____

Model of the appliance : 134 08 05

Color : Y I P C E

Serial number : _____

• This certificate has to be completed and kept carefully.

In case of claims, send a copy of this to :

FRANCO BELGE ♦♦

"La chaleur en toute confiance"

127^{ième} RIF, 15
BE 5660 MARIEMBOURG